

DALI

69 3/4" x 33" x 28"

The DALI can hold up to approximately 60 gallons of water.

This bathtub is shipped fully assembled with a chrome cable drive waste & overflow assembly.

A brushed nickel waste & overflow is available as an accessory.

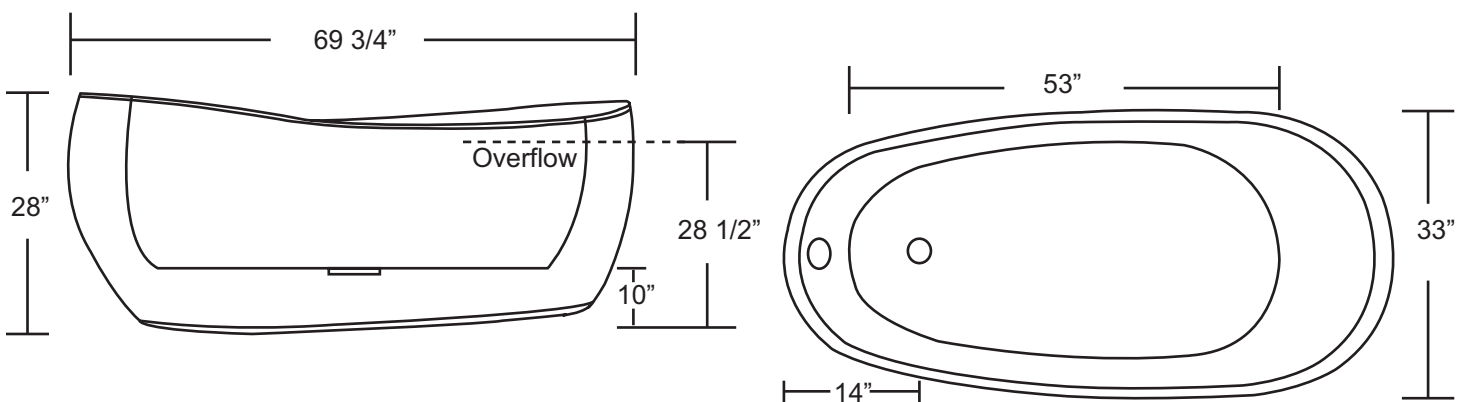
Drain: 2"

Overflow: 2 1/4"

Sizes: $\pm 3/8$ "

Diagram not to scale

Lateral & vertical air jets can be installed on this bathtub. The blower must be installed in a remote location and not within the outer shell of the bathtub.



This bathtub complies with CSA Standards

In keeping with our policy of continuing product improvement, Acri-Tec Industries Corp., reserves the right to change product specifications without notice.