



HQ 170B

67" x 31 1/2" x 24 3/8"
(1700 x 800 x 620mm)

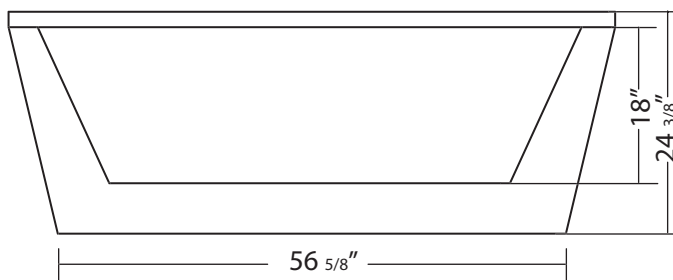
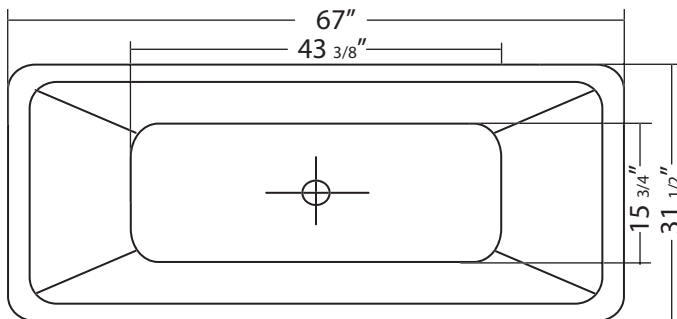
The HQ170B can hold up to approximately 60 gallons of water.

This bathtub is shipped fully assembled with a chrome cable drive waste & overflow assembly.

A brushed nickel waste & overflow is available as an accessory.

Drain: 2"
Overflow: 2 1/4"
Sizes: $\pm 3/8$ "
Diagram not to scale

Lateral & vertical air jets can be installed on this bathtub. The blower must be installed in a remote location and not within the outer shell of the bathtub.



This bathtub complies with CSA Standards

In keeping with our policy of continuing product improvement, Acri-Tec Industries Corp., reserves the right to change product specifications without notice.