



LG1890B

70 7/8" x 35 7/8" x 27"

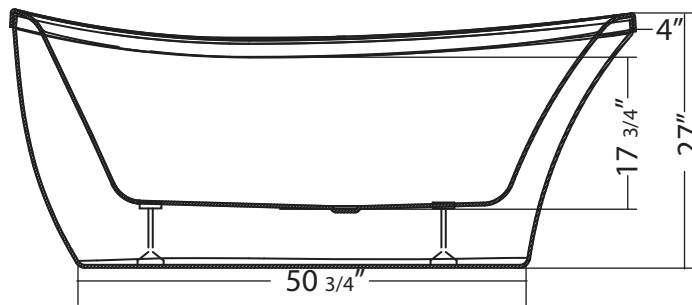
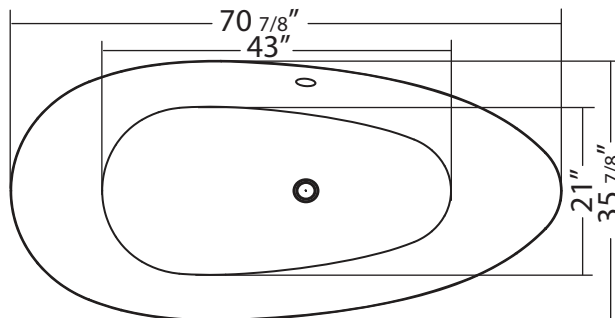
The LG1890B can hold up to approximately 55 gallons of water.

This bathtub is shipped fully assembled with a chrome cable drive waste & overflow assembly.

A brushed nickel waste & overflow is available as an accessory.

Drain: 2"
Overflow: 2 1/4"
Sizes: ± 3/8"
Diagram not to scale

Lateral & vertical air jets can be installed on this bathtub. The blower must be installed in a remote location and not within the outer shell of the bathtub.



This bathtub complies with CSA Standards

In keeping with our policy of continuing product improvement, Acri-Tec Industries Corp., reserves the right to change product specifications without notice.