



\* Pillow not included.

## WK-B04

66" x 33 1/2" x 22 7/8"  
(1676 x 850 x 580mm)

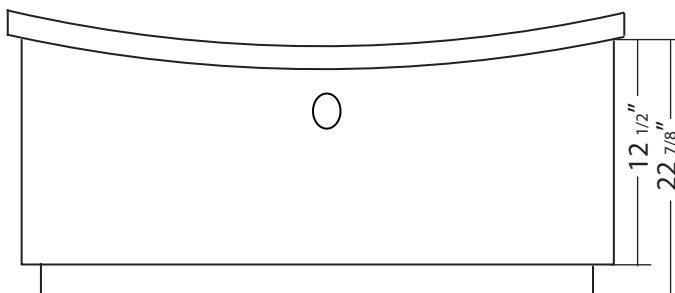
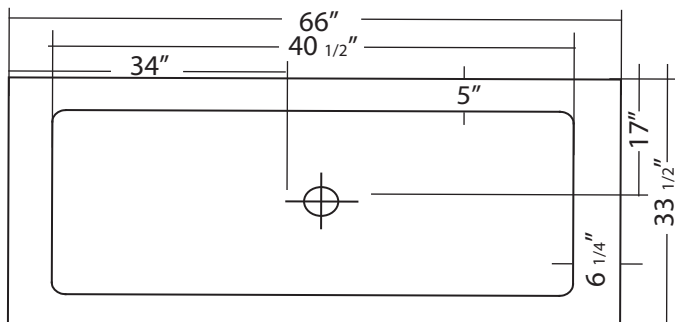
The WK-B04 can hold up to approximately 50 gallons of water.

This bathtub is shipped fully assembled with a chrome cable drive waste & overflow assembly.

A brushed nickel waste & overflow is available as an accessory.

Drain: 2"  
Overflow: 2 1/4"  
Sizes: ± 3/8"  
Diagram not to scale

Lateral & vertical air jets can be installed on this bathtub. The blower must be installed in a remote location and not within the outer shell of the bathtub.



This bathtub complies with CSA Standards

In keeping with our policy of continuing product improvement, Acri-Tec Industries Corp., reserves the right to change product specifications without notice.