



WK-B14

78 3/4" x 33 1/2" x 21 5/8"
(2000 x 850 x 550mm)

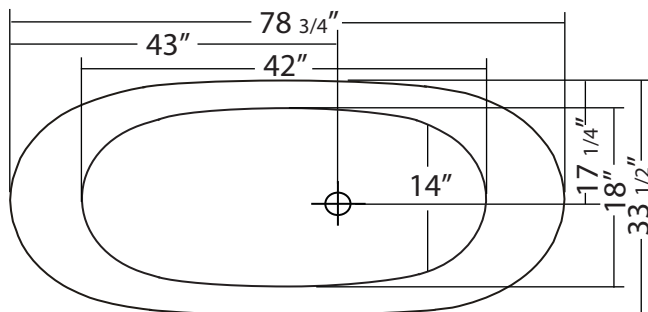
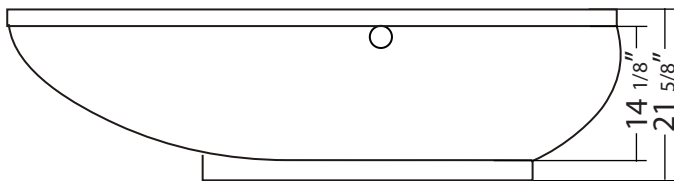
The WK-B14 can hold up to approximately 70 gallons of water.

This bathtub is shipped fully assembled with a chrome cable drive waste & overflow assembly.

A brushed nickel waste & overflow is available as an accessory.

Drain: 2"
Overflow: 2 1/4"
Sizes: ± 3/8"
Diagram not to scale

Vertical and Lateral air jets can be installed on this bathtub. The blower must be installed in a remote location and not within the outer shell of the bathtub.



This bathtub complies with CSA Standards

In keeping with our policy of continuing product improvement, Acri-Tec Industries Corp., reserves the right to change product specifications without notice.