



## YB 180B

71" x 35 1/2" x 27"

(1800 x 900 x 690mm)

The YB180B can hold up to approximately 65 gallons of water.

This bathtub is shipped fully assembled with a chrome cable drive waste & overflow assembly.

A brushed nickel waste & overflow is available as an accessory.

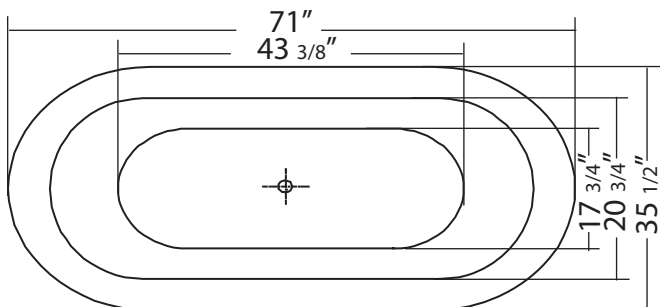
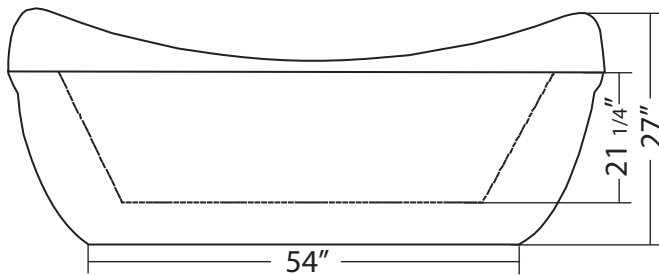
Drain: 2"

Overflow: 2 1/4"

Sizes: ± 3/8"

Diagram not to scale

Vertical and Lateral air jets can be installed on this bathtub. The blower must be installed in a remote location and not within the outer shell of the bathtub.



This bathtub complies with CSA Standards

In keeping with our policy of continuing product improvement, Acri-Tec Industries Corp., reserves the right to change product specifications without notice.