

# MASCALI

## Italian Designer Composite Bathtubs 66 1/2" x 33 1/2" x 21 1/2"



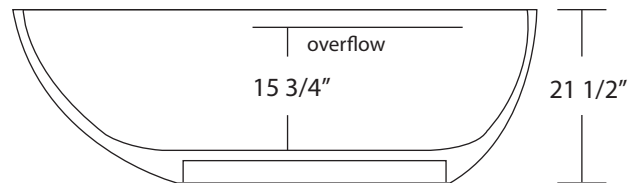
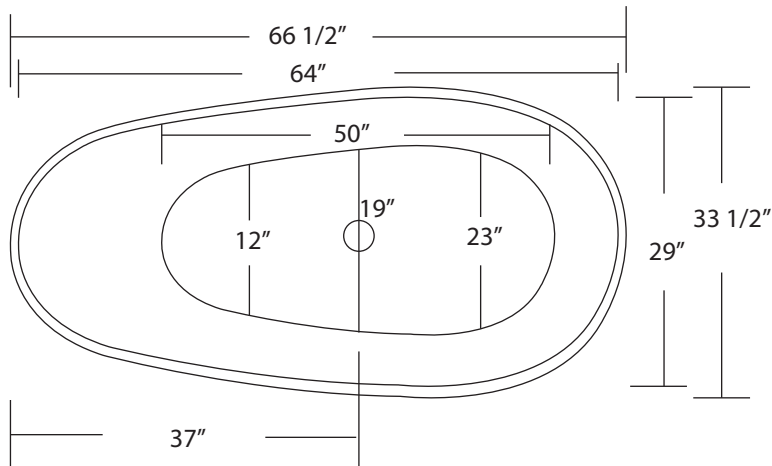
This bathtub is shipped fully assembled with an integral overflow.

Each bathtub in this new series is made from a formula of synthetic and natural materials, and finished with a polyester blended coating; designed to be resistant to scratching, scuffmarks, and UV rays.

Due to the nature of the composite material and the 3/4" thick walls, these baths provide excellent insulation, keeping bath water warmer for a longer period of time.

Weight: 353lbs

\*1 year limited manufacturer's warranty included



All measurements  $\pm 1/4"$

In keeping with our policy of continuing product improvement, Acri-Tec Industries Corp., reserves the right to change product specifications without notice.