

SIENA

Italian Designer Composite Bathtubs 67" x 29 1/2" x 21 5/8"



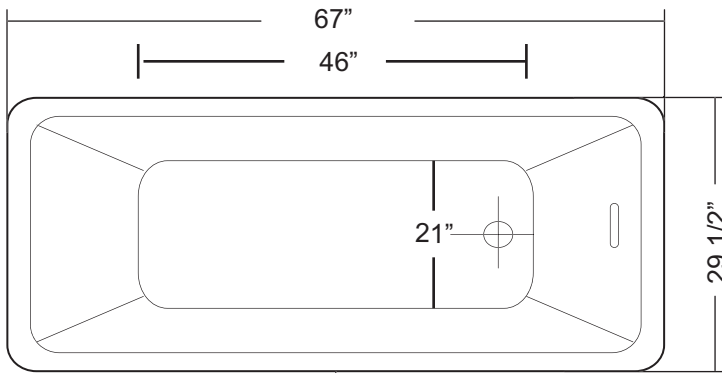
This bathtub is shipped fully assembled with an integral overflow.

Each bathtub in this new series is made from a formula of synthetic and natural materials, and finished with a polyester blended coating; designed to be resistant to scratching, scuffmarks, and UV rays.

Due to the nature of the composite material and the 3/4" thick walls, these baths provide excellent insulation, keeping bath water warmer for a longer period of time.

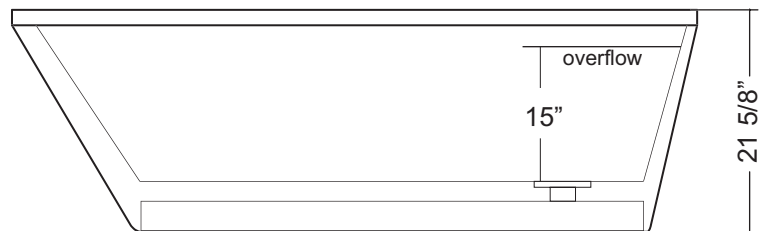
Weight: 331lbs

*1 year limited manufacturer's warranty included



TOP VIEW

FRONT VIEW



All measurements $\pm 1/4$ "

In keeping with our policy of continuing product improvement, Acri-Tec Industries Corp., reserves the right to change product specifications without notice.