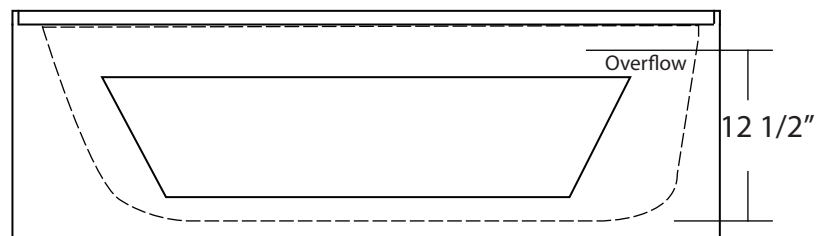
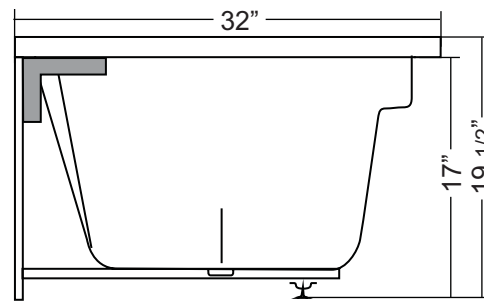
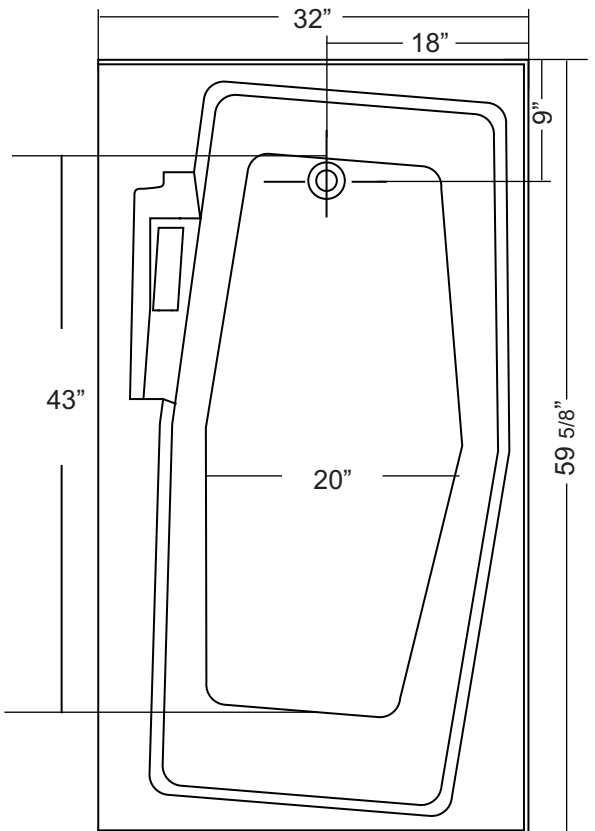


Gothenburg 60" x 32"



With over 17" in depth from the deck of the tub to the floor, the Gothenburg allows bathers to easily step over the ledge of the bathtub.

The Gothenburg is made from 100% acrylic with fibre-glass reinforcement for added strength and durability.



This bathtub complies with CSA Standards

Drain: 2"
Overflow: 2 1/4"
Sizes: ± 3/8"
Diagram not to scale

In keeping with our policy of continuing product improvement, Acri-Tec Industries Corp., reserves the right to change product specifications without notice.