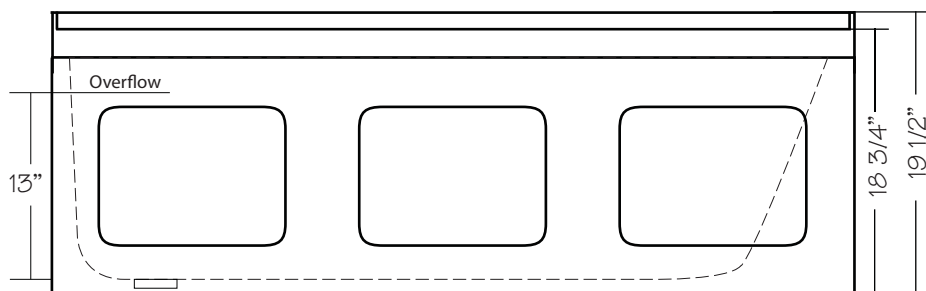
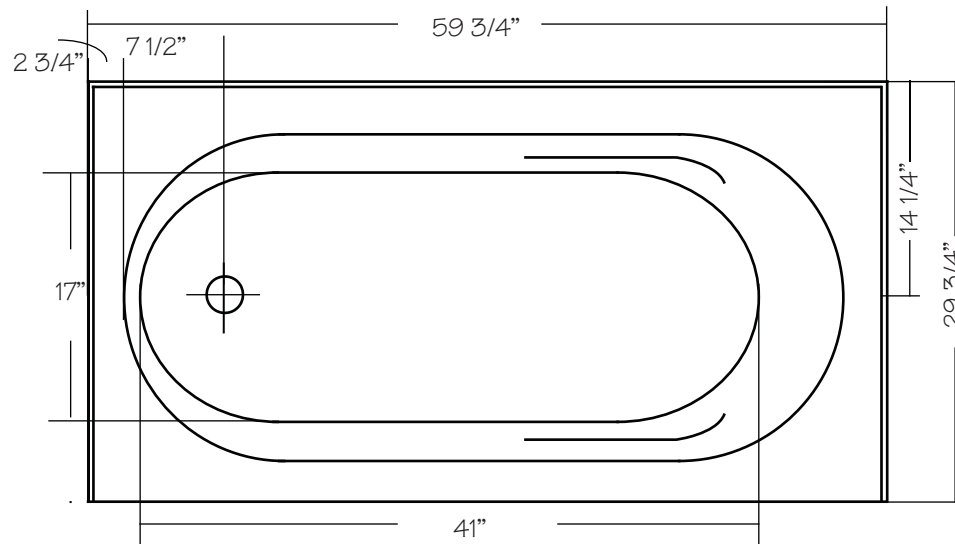


Quadra I 60" x 30"

With over 18 3/4" in depth from the deck of the tub to the floor, the Quadra I allows bathers to fully submerge themselves for a more pleasureable bathing experience.

The gentle sloping back and arm rests are designed with comfort and ergonomics in mind, and the floor of the tub features a light texture.

The Quadra I is made from 100% acrylic with fibre-glass reinforcement for added strength and durability.



Drain: 2"
Overflow: 2 1/4"
Sizes: ± 3/8"
Diagram not to scale



This bathtub complies with CSA Standards

In keeping with our policy of continuing product improvement, Acri-Tec Industries Corp., reserves the right to change product specifications without notice.