

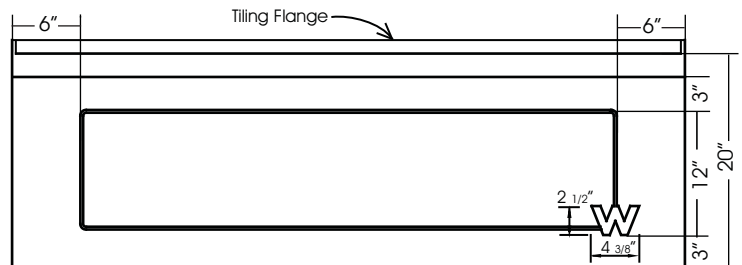
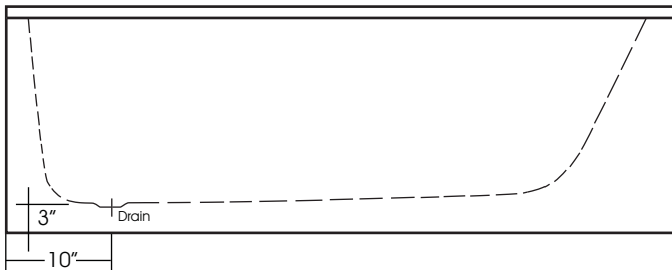
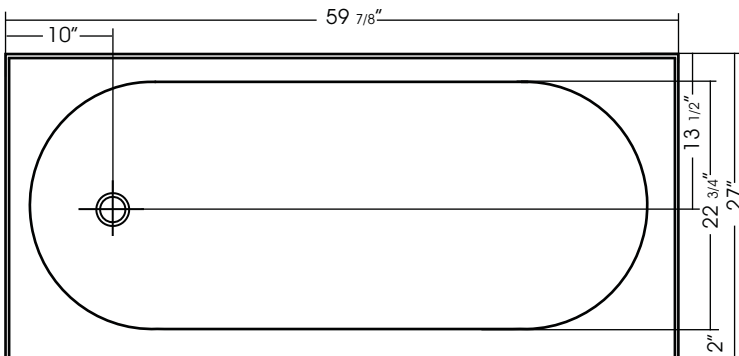
Woodward 60" x 27"



Designed as an eco alternative to a standard tub the Woodward is designed with a 27" width as opposed to a standard 30" or 32" bathtub saving valuable space in the bathtub without compromise.

The bathtub well is designed to be deep enough to comfortably submerge your body while the narrower profile allows for less water consumption.

The bathtub well is designed to be ergonomically comfortable with the naturally comfortable slope from the deck to the floor of the tub.



This bathtub complies with CSA Standards

Drain: 2"
Overflow: 2 1/4"
Sizes: ± 3/8"
Diagram not to scale

In keeping with our policy of continuing product improvement, Acri-Tec Industries Corp., reserves the right to change product specifications without notice.