

## FAUCETS

Section: 28  
Page: 10 of 18  
Updated: April, 2012

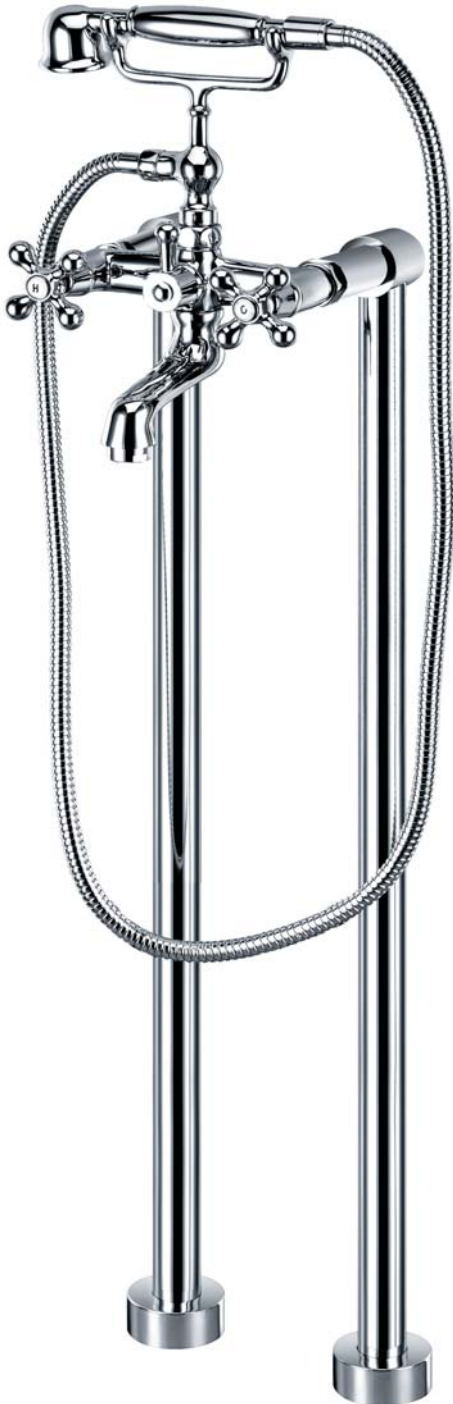


# Monarch-X

Dual Cross Handle Free-Standing Faucet.

Includes an oversized hand-spray with an easy open manual diverter system.

Part# (Chrome): **83071**



## Features

- Two 1/4 turn ceramic cartridges
- Solid brass construction
- Triple-plated chrome finish
- Triple-seal water supply system

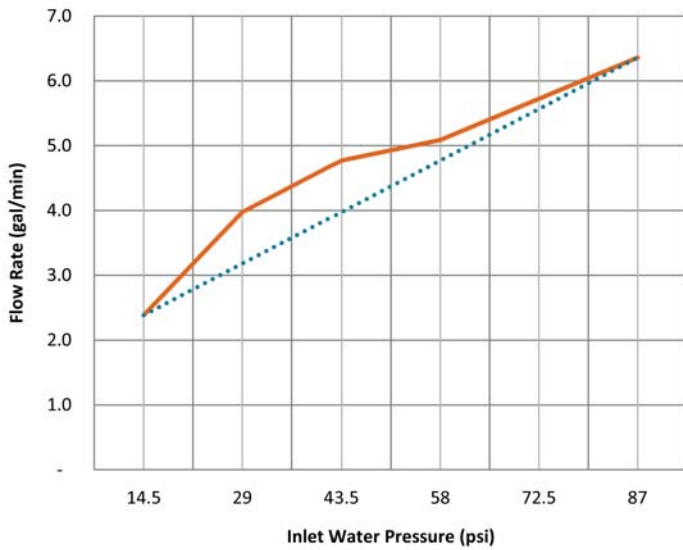
## Technical Specifications

- 5 gal / minute spout flow rate @ 65 psi
- Minimum operating temp.: 0 °C
- Maximum operating temp.: 90 °C
- Minimum operating pressure: 7 Psi
- Maximum operating pressure: 145 Psi

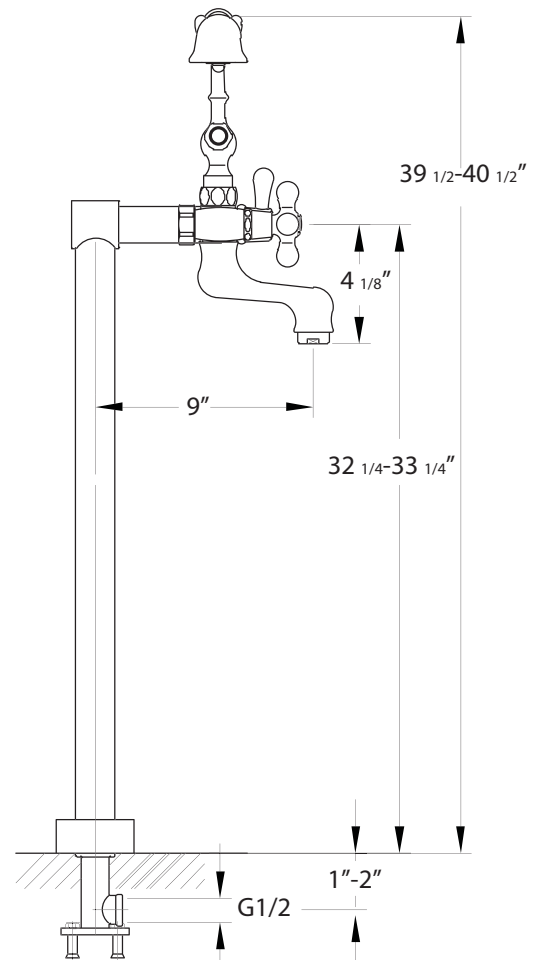
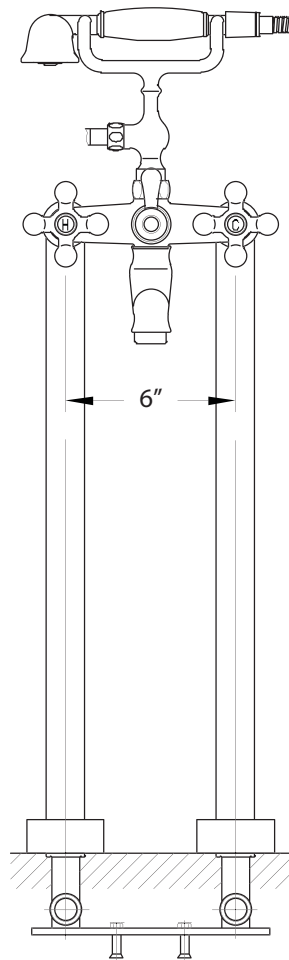
Specification subject to change without notice.  
All measurements + or - 1/4".



# Monarch-X



— Spout  
 ..... Hand Shower



Specification subject to change without notice.  
 All measurements + or - 1/4".