

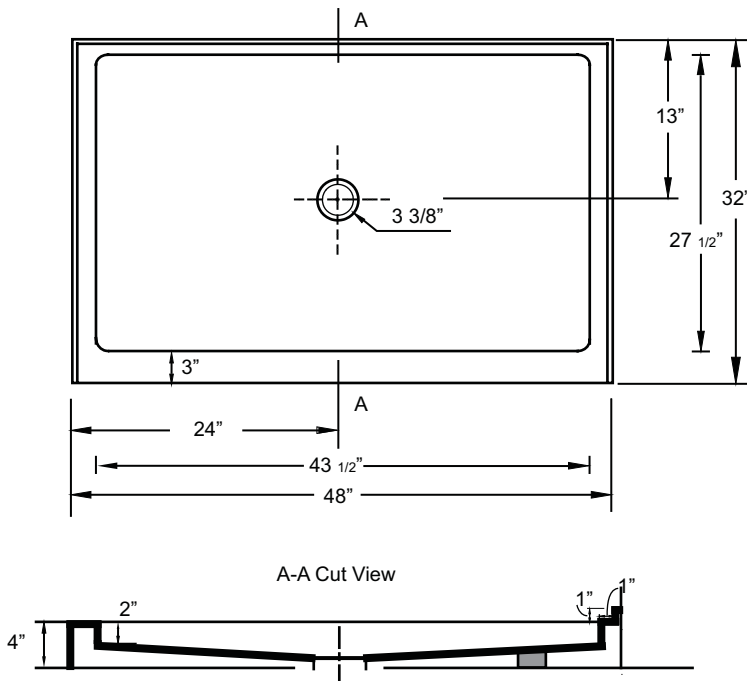
MODEL

48" x 32" Single Threshold Low Profile



*Note: Shower base may not be exactly as pictured
*1 year limited manufacturer's warranty included

SHOWER BASE DIMENSIONS



*Diagram is not to scale



This shower base complies with CSA Standards

*Shower Drains are not included
All measurements $\pm 1/4"$

DESIGN FEATURES

- Acrylic shower base constructed of cast high gloss acrylic and reinforced with a fibreglass backing
- Standard 3 3/8" shower drain opening
- Shower base trimmed to fit 48" x 32" rough opening
- Integral tiling flange for easy installation

OPTIONS

- Available in;
 - White
 - Biscuit
 - Bone
 - Linen
- Compatible Shower Doors:
 - CPL109-48 (Section 18, Page 2)
 - 9644452 (Section 18, Page 5)
 - 9749452 (Section 18, Page 3)

In keeping with our policy of continuing product improvement, Acric-Tec Industries Corp., reserves the right to change product specifications without notice.