

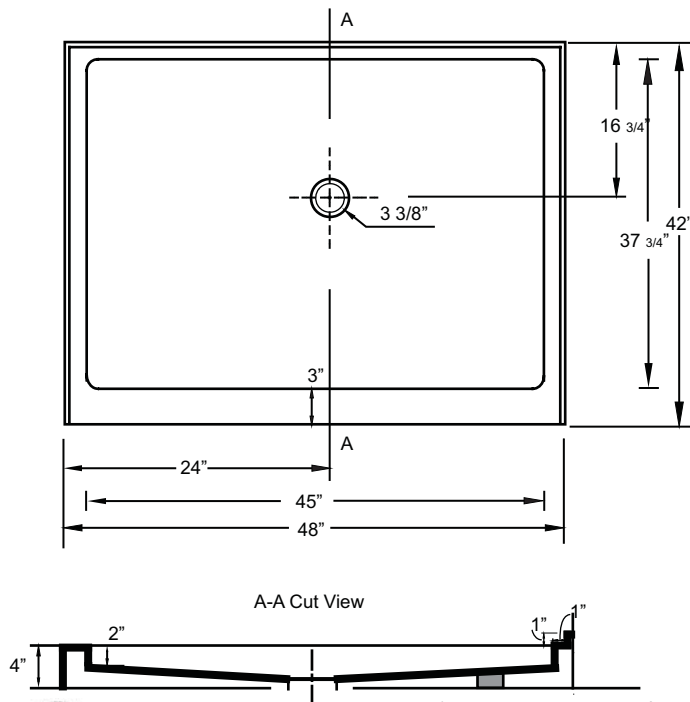
# MODEL

## 48" x 42" Single Threshold Low Profile



\*Note: Shower base may not be exactly as pictured  
\*1 year limited manufacturer's warranty included

### SHOWER BASE DIMENSIONS



This shower base complies with CSA Standards

\*Diagram is not to scale

\*Shower Drains are not included  
All measurements  $\pm 1/4$ "

### DESIGN FEATURES

- Acrylic shower base constructed of cast high gloss acrylic and reinforced with a fibreglass backing
- Standard 3 3/8" shower drain opening
- Shower base trimmed to fit 48" x 42" rough opening
- Integral tiling flange for easy installation

### OPTIONS

- Available in;
  - White
  - Biscuit
  - Bone
  - Linen
- Compatible Shower Doors:
  - CPL109-48 (Section 18, Page 2)
  - 9644452 (Section 18, Page 5)
  - 9749452 (Section 18, Page 3)

In keeping with our policy of continuing product improvement, Acric-Tec Industries Corp., reserves the right to change product specifications without notice.