

MODEL

54" x 36" Single Threshold



*Note: Shower base may not be exactly as pictured
*1 year limited manufacturer's warranty included

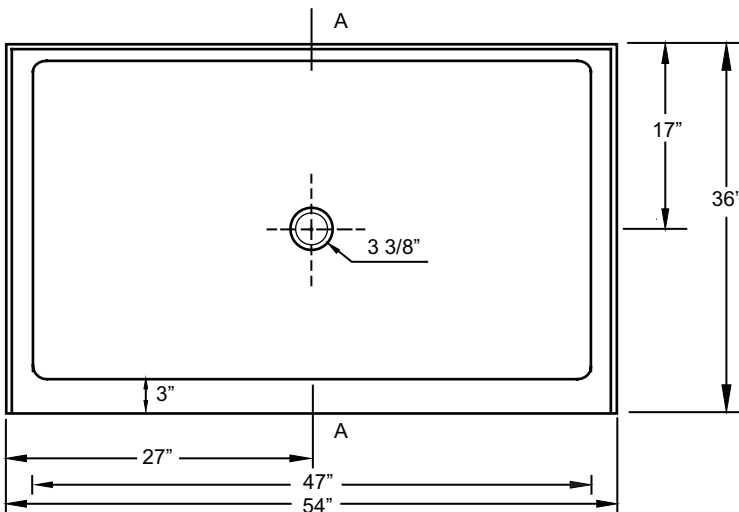
DESIGN FEATURES

- Acrylic shower base constructed of cast high gloss acrylic and reinforced with a fibreglass backing
- Standard 3 3/8" shower drain opening
- Shower base trimmed to fit 54" x 36" rough opening
- Integral tiling flange for easy installation

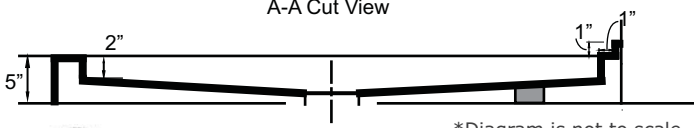
OPTIONS

- Available in;
 - White
 - Biscuit
 - Bone
 - Linen

SHOWER BASE DIMENSIONS



A-A Cut View



*Diagram is not to scale



This shower base complies with CSA Standards

*Shower Drains are not included
All measurements $\pm 1/4"$

In keeping with our policy of continuing product improvement, Acri-Tec Industries Corp., reserves the right to change product specifications without notice.