

# MODEL

## 32" x 36" Single Threshold



\*Note: Shower base may not be exactly as pictured  
\*1 year limited manufacturer's warranty included

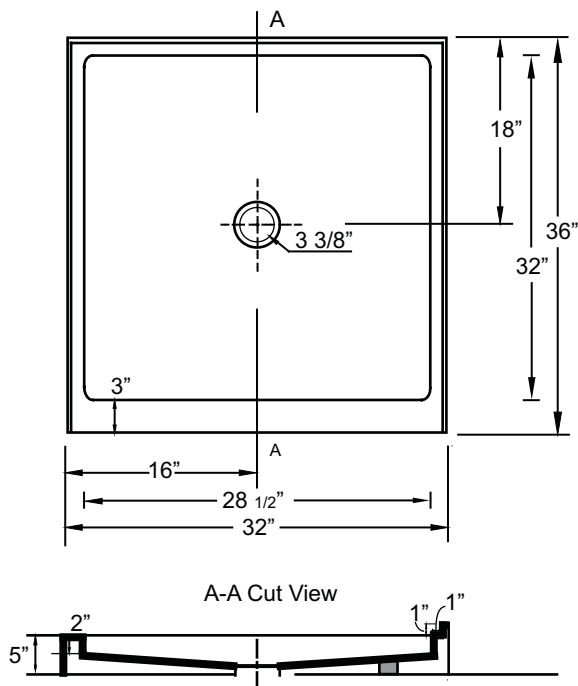
### DESIGN FEATURES

- Acrylic shower base constructed of cast high gloss acrylic and reinforced with a fibreglass backing
- Standard 3 3/8" shower drain opening
- Shower base trimmed to fit 32" x 36" rough opening
- Integral tiling flange for easy installation

### OPTIONS

- Available in;
  - White
  - Biscuit
  - Bone
  - Linen
- Compatible Shower Doors:
  - 9748292 (Section 18, Page 2)

### SHOWER BASE DIMENSIONS



\*Diagram is not to scale



This shower base complies with CSA Standards

\*Shower Drains are not included  
All measurements  $\pm 1/4"$

In keeping with our policy of continuing product improvement, Acric-Tec Industries Corp., reserves the right to change product specifications without notice.