

MODEL

36" Round Front Renovator Kit

DESIGN FEATURES

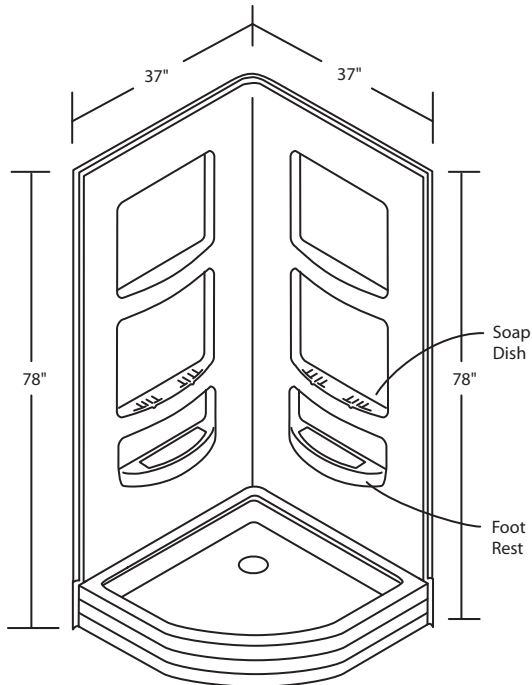
- Acrylic shower base and walls constructed of cast high gloss acrylic and reinforced with a fibreglass backing
- Standard 3 3/8" shower drain opening
- Shower base trimmed to fit 36" x 36" rough opening
- Integral tiling flange for easy installation

OPTIONS

- Available in:
 - White
- Designed to fit;
 - 36" x 36" Round Front Base
 - 36" x 36" Belly Round Front Base
 - 36" x 36" Belly Round Front Unique Base

*1 year limited manufacturer's warranty included

SHOWER BASE DIMENSIONS



This shower base complies with CSA Standards

*Shower Drains are not included
All measurements $\pm 1/4$ "

In keeping with our policy of continuing product improvement, Acri-Tec Industries Corp., reserves the right to change product specifications without notice.