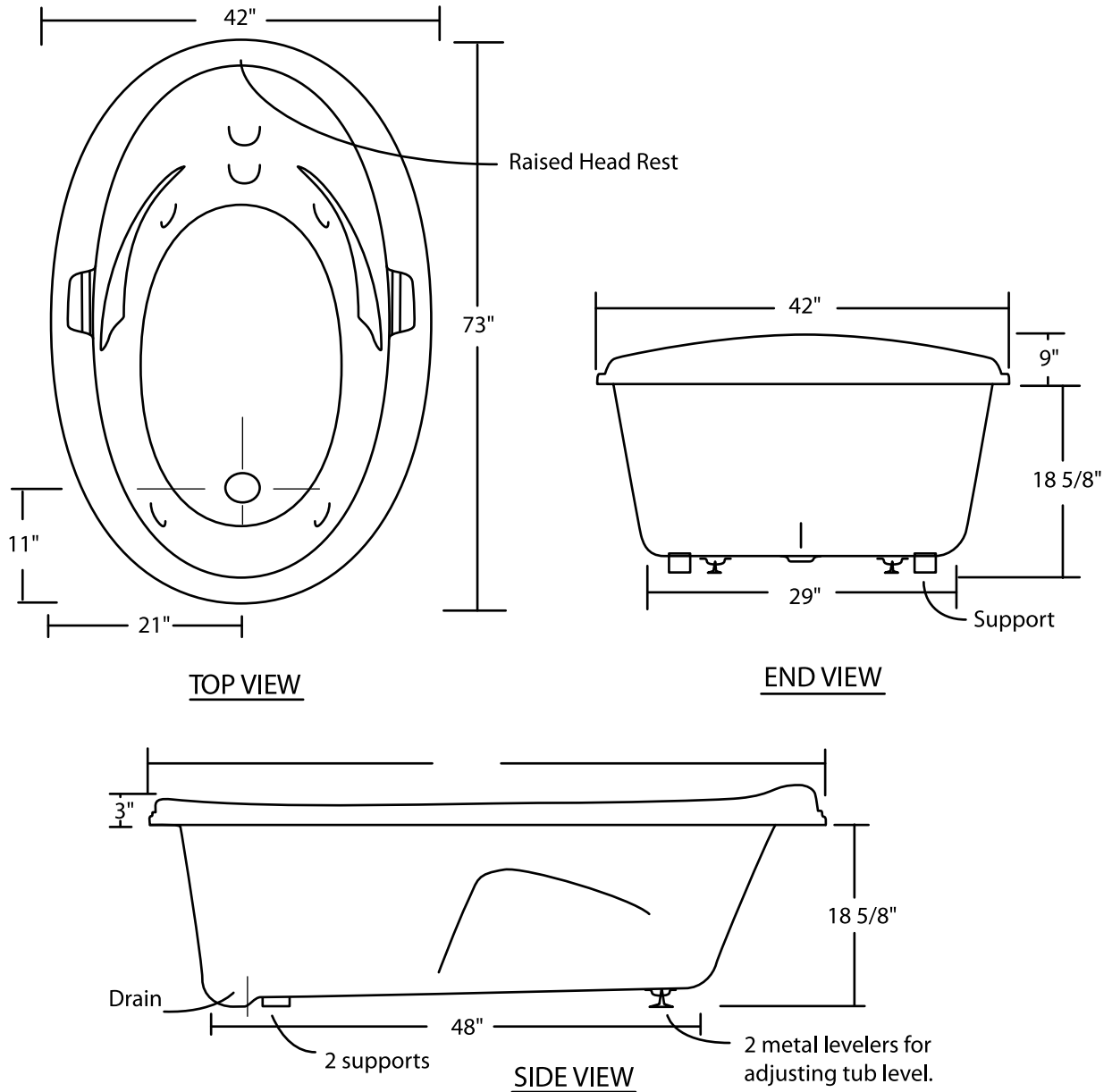




Slipper 72"x 42" Drop-In Tub



All Measurements: $\pm 1/4"$
Drain Hole: 2"
Overflow Hole: 2 1/2"