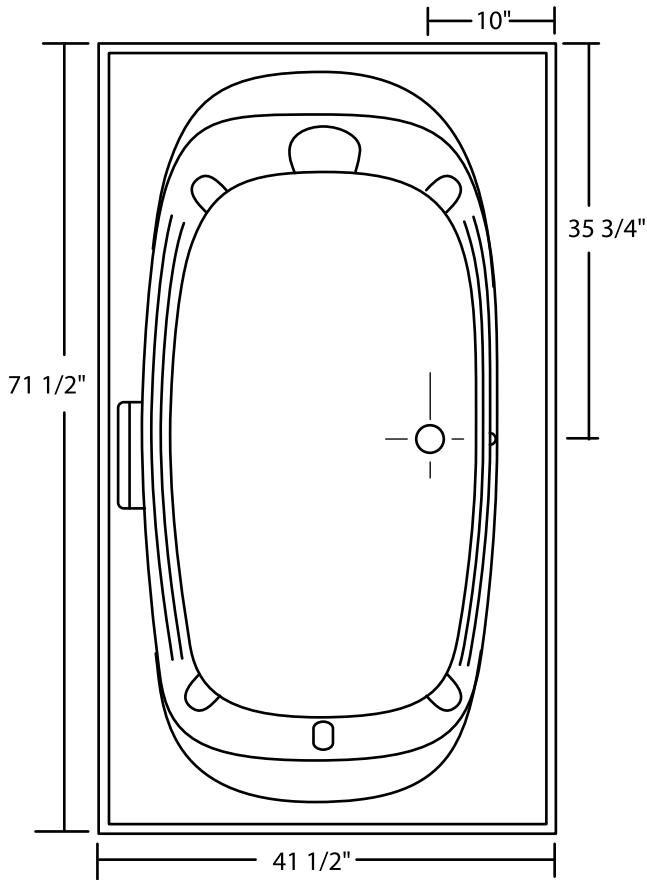


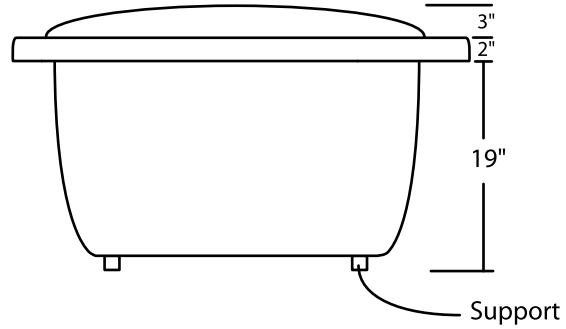


Terrace 72"x 42"

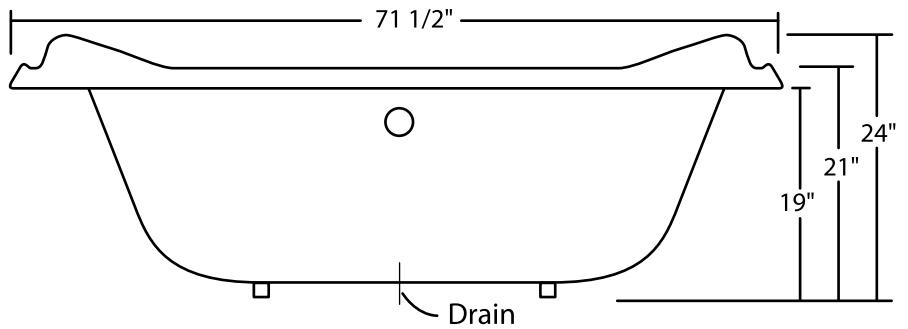
Drop-In Tub



TOP VIEW



END VIEW



SIDE VIEW

All Measurements: $\pm 1/4$ "
Drain Hole: 2"
Overflow Hole: 2 1/2"