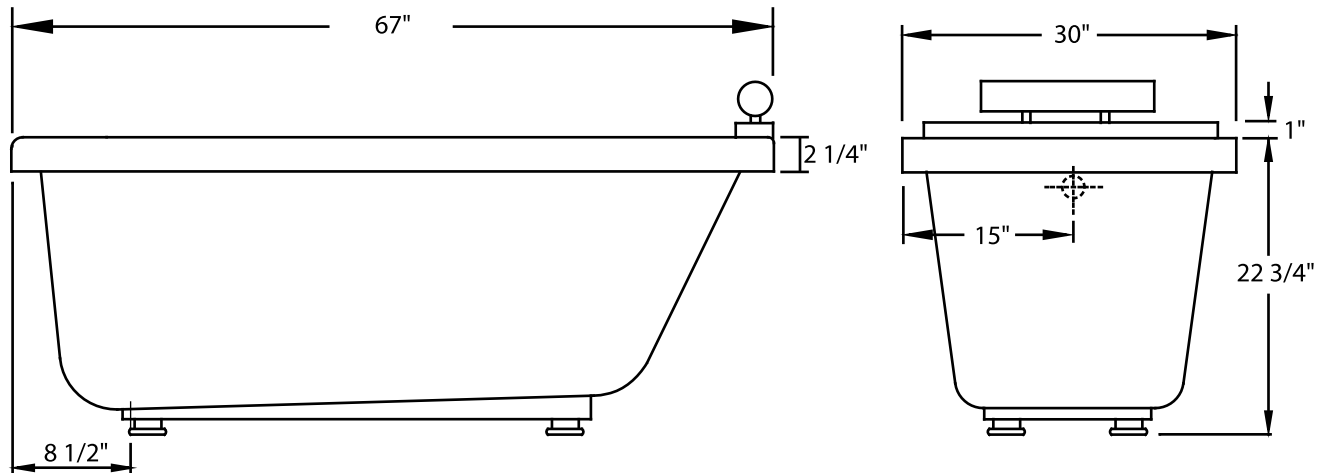




Acri-Tec Industries Corp.
32829 London Avenue, Mission, BC V2V 6M7
Tel: (604) 826-3100 Fax: (604) 826-3149
sales@acritec.com

Roxburgh II w/o Skirt 67" x 30" European Collection



All Measurements: $\pm 1/4"$
Drain Hole: 2"
Overflow Hole: 2 1/2"