

URBAN

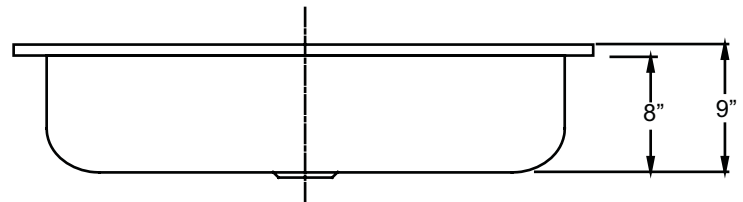
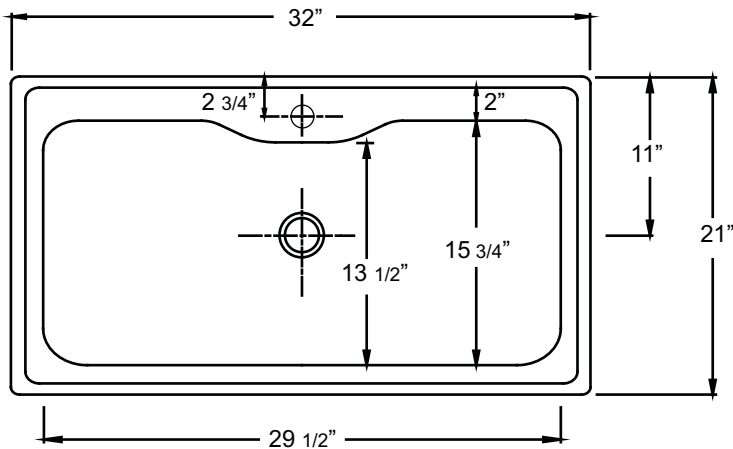
Acrylic Kitchen Sink

32" x 21" x 9"



*1 year limited manufacturer's warranty included

ACRYLIC SINK DIMENSIONS



This sink complies with CSA Standards

All measurements $\pm 1/4"$

In keeping with our policy of continuing product improvement, Acri-Tec Industries Corp., reserves the right to change product specifications without notice.