

# CLASSIC LAUNDRY

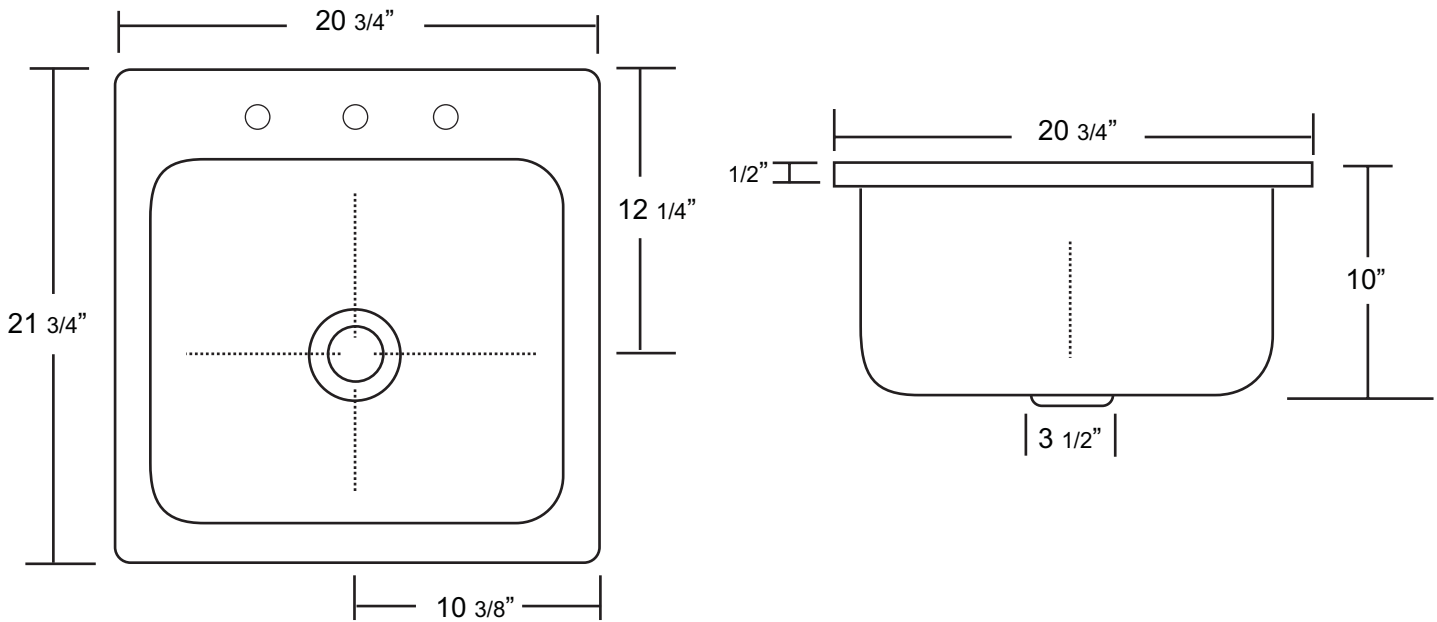
Acrylic Sinks

21 3/4" x 20 3/4" x 10"



\*1 year limited manufacturer's warranty included

## ACRYLIC SINK DIMENSIONS



This sink complies with CSA Standards

All measurements  $\pm 1/4"$

In keeping with our policy of continuing product improvement, Acri-Tec Industries Corp., reserves the right to change product specifications without notice.