

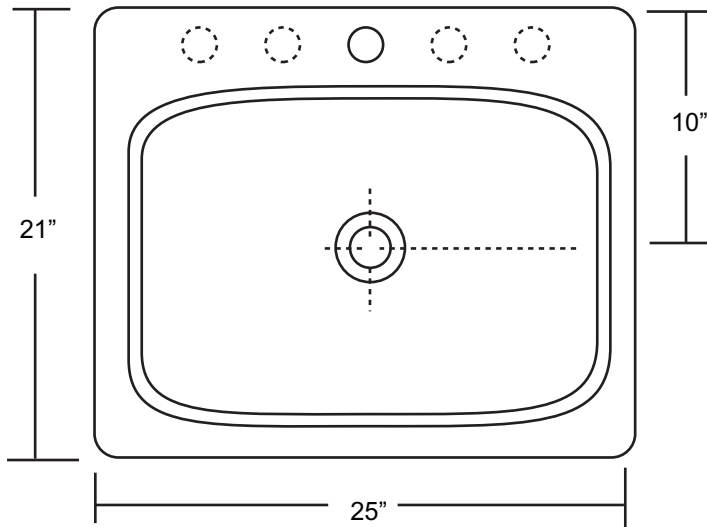
MONARCH

Acrylic Kitchen Sink
25" x 21" x 7"

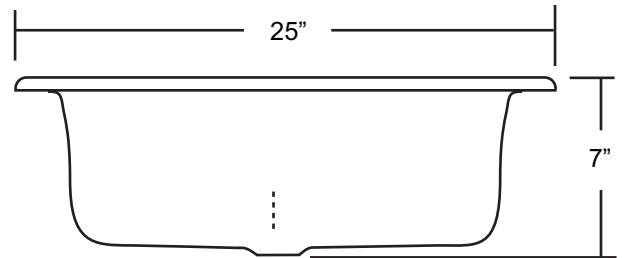


*1 year limited manufacturer's warranty included

ACRYLIC SINK DIMENSIONS



TOP VIEW



FRONT VIEW



This sink complies with CSA Standards

All measurements $\pm 1/4"$

In keeping with our policy of continuing product improvement, Acri-Tec Industries Corp., reserves the right to change product specifications without notice.