

PC-D020

Drop-In Hospitality Sink

18" x 18" x 8"



*1 year limited manufacturer's warranty included

DESIGN FEATURES

Brushed Satin finish

Raised rim profile provides definition and guards against counter spills.

Installation clamps provided for quick & easy installation.

Latex based undercoating helps damper sound and vibrations.

3 1/2" drain opening.

CABINET SIZE

Minimum cabinet size required: 21"

MATERIAL

Fabricated from type 304, 20 gauge stainless steel.

Constructed from 18/9 stainless steel for durability and superior longevity

Net Sink Weight = 5 lbs, 2.2 kg

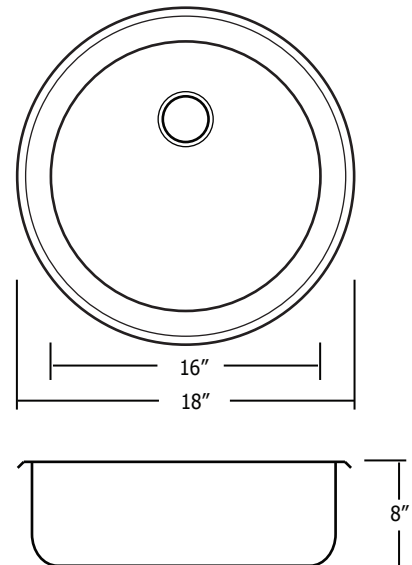
INCLUDING

Metal 3 1/2" stainless steel strainer

Template

SINK DIMENSIONS

Diagram not to scale



This sink complies with CSA Standards

Allow sufficient space for faucet when choosing a sink to fit your cabinet

All measurements $\pm 1/4"$

In keeping with our policy of continuing product improvement, Acri-Tec Industries Corp., reserves the right to change product specifications without notice.