

# PC-D031

## Drop-In Hospitality Sink

### 20" x 20" x 6 1/2"



\*1 year limited manufacturer's warranty included

### DESIGN FEATURES

Brushed Satin finish

Raised rim profile provides definition and guards against counter spills.

Installation clamps provided for quick & easy installation.

Latex based undercoating helps damper sound and vibrations.

3 1/2" drain opening.

### CABINET SIZE

Minimum cabinet size required: 21"

### MATERIAL

Fabricated from type 304, 22 gauge stainless steel

Constructed from 18/9 stainless steel for durability and superior longevity

Net Sink Weight = 4 lbs, 1.8 kg

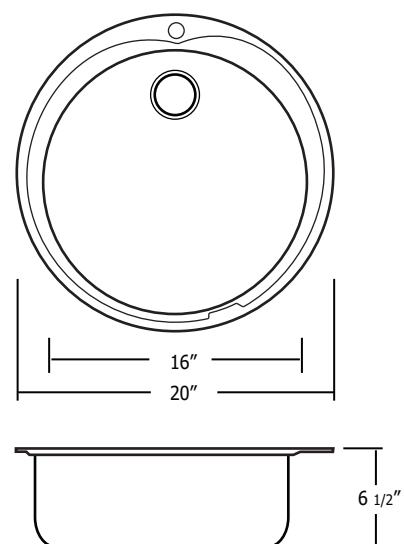
### INCLUDING

Metal 3 1/2" stainless steel strainer

Template

### SINK DIMENSIONS

Diagram not to scale



This sink complies with CSA Standards

All measurements  $\pm 1/4"$

In keeping with our policy of continuing product improvement, Acri-Tec Industries Corp., reserves the right to change product specifications without notice.