

PC-D053

Drop-In Laundry Sink

20" x 20 1/2" x 10 1/4"



*1 year limited manufacturer's warranty included

DESIGN FEATURES

Brushed Satin finish

Installation clamps provided for quick & easy installation.

Latex based undercoating helps damper sound and vibrations.

3 1/2" drain opening.

CABINET SIZE

Minimum cabinet size required: 21"

MATERIAL

Fabricated from type 304, 19 gauge stainless steel

Constructed from 18/9 stainless steel for durability and superior longevity

Net Sink Weight = 10 lbs, 4.5 kg

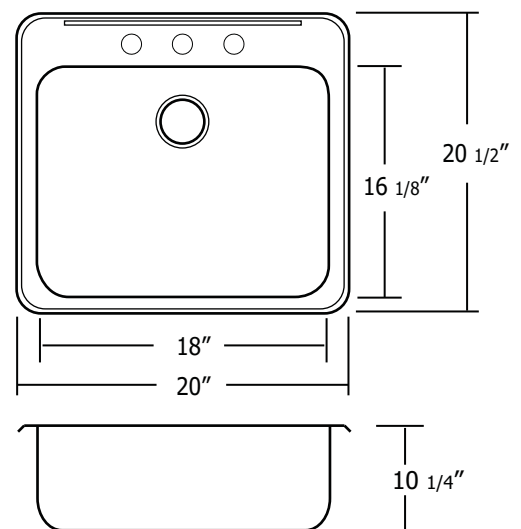
INCLUDING

Metal 3 1/2" stainless steel strainer

Template

SINK DIMENSIONS

Diagram not to scale



This sink complies with CSA Standards

All measurements $\pm 1/4$ "

In keeping with our policy of continuing product improvement, Acri-Tec Industries Corp., reserves the right to change product specifications without notice.