

PC-D311

Drop-In Kitchen Sink

38 1/4" X 20 3/8" X 7"



*1 year limited manufacturer's warranty included

DESIGN FEATURES

Brushed Satin finish

Raised rim profile provides definition and guards against counter spills.

Partition guards against spills.

Installation clamps provided for quick & easy installation.

Large polymer sound deadening pads minimize sound and vibrations.

3 1/2" drain openings.

CABINET SIZE

Minimum cabinet size required: 36"

MATERIAL

Fabricated from type 304, 19 gauge stainless steel

Constructed from 18/9 stainless steel for durability and superior longevity

Net Sink Weight = 7 lbs, 3 kg

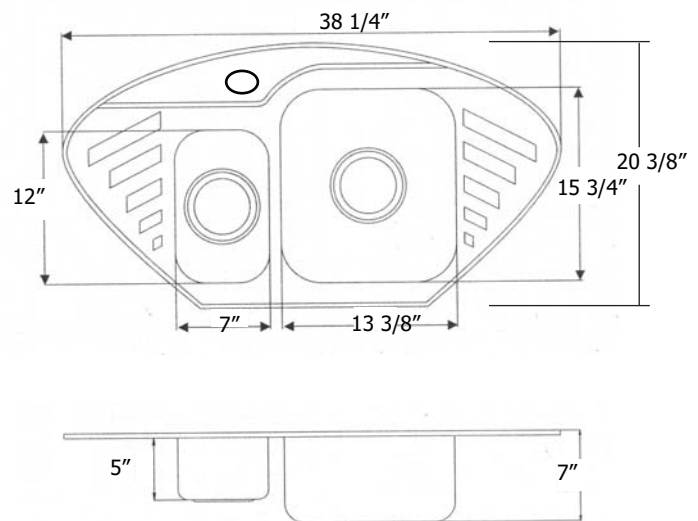
INCLUDING

2 Metal 3 1/2" stainless steel strainers

Template

SINK DIMENSIONS

Diagram not to scale



This sink complies with CSA Standards

Allow sufficient space for faucet when choosing a sink to fit your cabinet

All measurements $\pm 1/4"$

In keeping with our policy of continuing product improvement, Acri-Tec Industries Corp., reserves the right to change product specifications without notice.