

# PC-D701

## Drop-In Kitchen Sink

### 32" x 17 3/8" x 8"



\*1 year limited manufacturer's warranty included

### DESIGN FEATURES

Brushed Satin finish

Raised rim profile provides definition and guards against counter spills.

Partition guards against spills.

Installation clamps provided for quick & easy installation.

Large polymer sound deadening pads minimize sound and vibrations

3 1/2" drain openings.

### CABINET SIZE

Minimum cabinet size required: 33"

### MATERIAL

Fabricated from type 304, 22 gauge stainless steel

Constructed from 18/9 stainless steel for durability and superior longevity

Net Sink Weight = 10 lbs, 4.5 kg

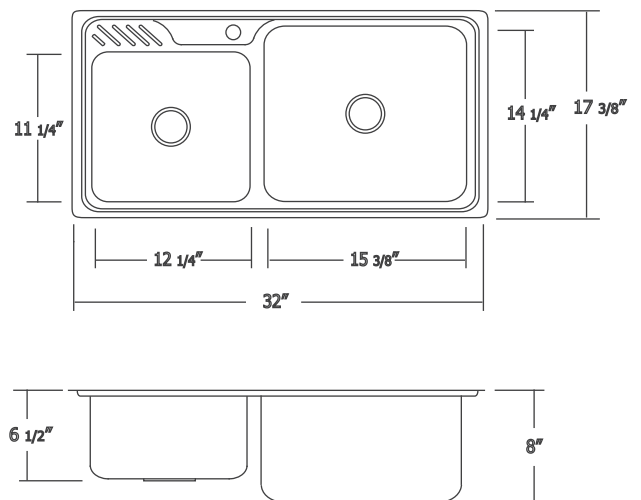
### INCLUDING

2 Metal 3 1/2" stainless steel strainers

Template

### SINK DIMENSIONS

Diagram not to scale



This sink complies with CSA Standards

All measurements  $\pm 1/4"$

In keeping with our policy of continuing product improvement, Acric-Tec Industries Corp., reserves the right to change product specifications without notice.