

# PC-U050

Under-Mount Kitchen Sink

**31 1/2" x 18" x 9 1/2"**



\*1 year limited manufacturer's warranty included

## DESIGN FEATURES

Brushed Satin finish

Sink can be installed with reveal, countertop hangover, or flush mounted with countertop.

Installation clamps provided for quick & easy installation.

Latex based undercoating helps damper sound and vibrations.

3 1/2" drain opening.

## CABINET SIZE

Minimum cabinet size required: 33"

## MATERIAL

Fabricated from type 304, 16 gauge stainless steel

Constructed from 18/9 stainless steel for durability and superior longevity

Net Sink Weight = 15 lbs, 6.8 kg

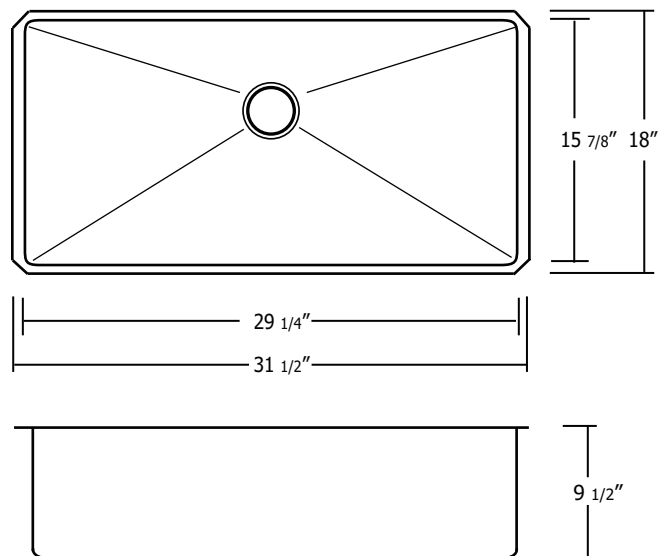
## INCLUDING

Metal 3 1/2" stainless steel strainer

Template

## SINK DIMENSIONS

Diagram not to scale



This sink complies with CSA Standards

\*Allow sufficient space for faucet when choosing a sink to fit your cabinet  
All measurements  $\pm 1/4$ "

In keeping with our policy of continuing product improvement, Acric-Tec Industries Corp., reserves the right to change product specifications without notice.