

PC-U080

Under-Mount Kitchen Sink

31 3/8" X 20 1/2" X 9"



*1 year limited manufacturer's warranty included

CABINET SIZE

Minimum cabinet size required: 33"

MATERIAL

Fabricated from type 304, 18 gauge stainless steel

Constructed from 18/9 stainless steel for durability and superior longevity

Net Sink Weight = 12 lbs, 5.4 kg

INCLUDING

2 Metal 3 1/2" stainless steel strainers

Template

DESIGN FEATURES

Brushed Satin finish

Sink can be installed with reveal, countertop hangover, or flush mounted with countertop.

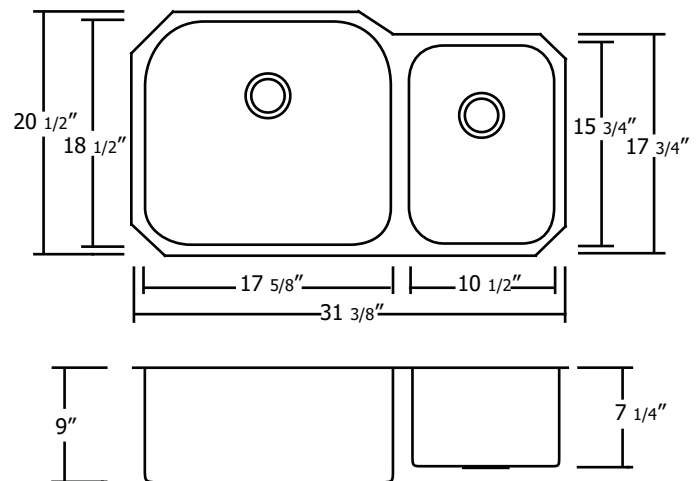
Installation clamps provided for quick & easy installation.

Latex based undercoating helps damper sound and vibrations.

3 1/2" drain openings

SINK DIMENSIONS

Diagram not to scale



This sink complies with CSA Standards

*Allow sufficient space for faucet when choosing a sink to fit your cabinet
All measurements ± 1/4"

In keeping with our policy of continuing product improvement, Acri-Tec Industries Corp., reserves the right to change product specifications without notice.