

# PC-U140

## Under-Mount Kitchen Sink

### 30" x 18" x 10 1/2"



\*1 year limited manufacturer's warranty included

### DESIGN FEATURES

Brushed Satin finish

Sink can be installed with reveal, countertop hangover, or flush mounted with countertop.

Installation clamps provided for quick & easy installation.

Large polymer sound deadening pads minimize sound and vibrations

3 1/2" drain opening.

### CABINET SIZE

Minimum cabinet size required: 33"

### MATERIAL

Fabricated from type 304, 16 gauge stainless steel

Constructed from 18/9 stainless steel for durability and superior longevity

Net Sink Weight = 18 lbs, 8 kg

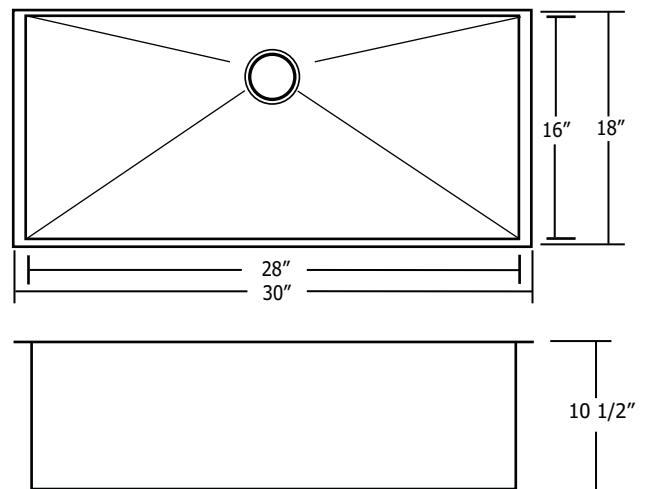
### INCLUDING

Metal 3 1/2" stainless steel strainer

Template

### SINK DIMENSIONS

Diagram not to scale



This sink complies with CSA Standards

\*Allow sufficient space for faucet when choosing a sink to fit your cabinet

All measurements  $\pm 1/4$ "

In keeping with our policy of continuing product improvement, Acri-Tec Industries Corp., reserves the right to change product specifications without notice.