

PC-U190

Under-Mount Kitchen Sink

15 1/8" X 17 1/2" X 8 1/2"



*1 year limited manufacturer's warranty included

DESIGN FEATURES

Brushed Satin finish

Sink can be installed with reveal, countertop hangover, or flush mounted with countertop.

Installation clamps provided for quick & easy installation.

Latex based undercoating helps dampen sound and vibrations.

3 1/2" drain opening.

CABINET SIZE

Minimum cabinet size required: 18"

MATERIAL

Fabricated from type 304, 18 gauge stainless steel

Constructed from 18/9 stainless steel for durability and superior longevity

Net Sink Weight = 11 lbs, 4.9 kg

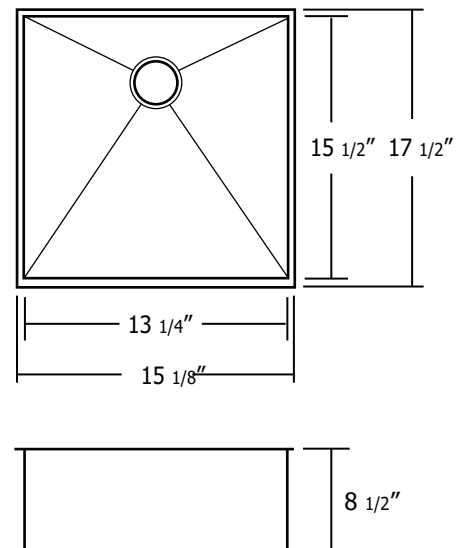
INCLUDING

Metal 3 1/2" stainless steel strainer

Template

SINK DIMENSIONS

Diagram not to scale



This sink complies with CSA Standards

*Allow sufficient space for faucet when choosing a sink to fit your cabinet
All measurements $\pm 1/4$ "

In keeping with our policy of continuing product improvement, Acri-Tec Industries Corp., reserves the right to change product specifications without notice.