

PC-U200

Under-Mount Kitchen Sink

31 3/4" X 19 3/4" X 9"



*1 year limited manufacturer's warranty included

DESIGN FEATURES

Brushed Satin finish

Sink can be installed with reveal, countertop hangover, or flush mounted with countertop.

Installation clamps provided for quick & easy installation.

Latex based undercoating helps damper sound and vibrations.

3 1/2" drain openings.

CABINET SIZE

Minimum cabinet size required: 33"

MATERIAL

Fabricated from type 304, 16 gauge stainless steel

Constructed from 18/9 stainless steel for durability and superior longevity

Net Sink Weight = 17 lbs, 7.7 kg

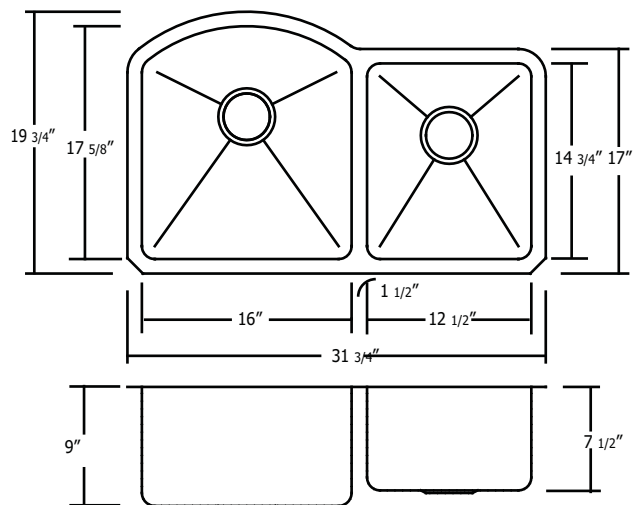
INCLUDING

2 Metal 3 1/2" stainless steel strainers

Template

SINK DIMENSIONS

Diagram not to scale



*Allow sufficient space for faucet when choosing a sink to fit your cabinet

All measurements $\pm 1/4$ "



This sink complies with CSA Standards

In keeping with our policy of continuing product improvement, Acric-Tec Industries Corp., reserves the right to change product specifications without notice.