

# PC-U240

## Under-Mount Kitchen Sink

### 17 3/8" X 17 3/8" X 8"



\*1 year limited manufacturer's warranty included

### CABINET SIZE

Maximum cabinet size required: 18"

### MATERIAL

Fabricated from type 304, 18 gauge stainless steel

Net Sink Weight = 11 lbs, 4.9 kg.

Constructed from 18/9 stainless steel for durability and superior longevity.

### INCLUDING

Metal 3 1/2" stainless steel strainer

Template

### DESIGN FEATURES

Brushed Satin Finish

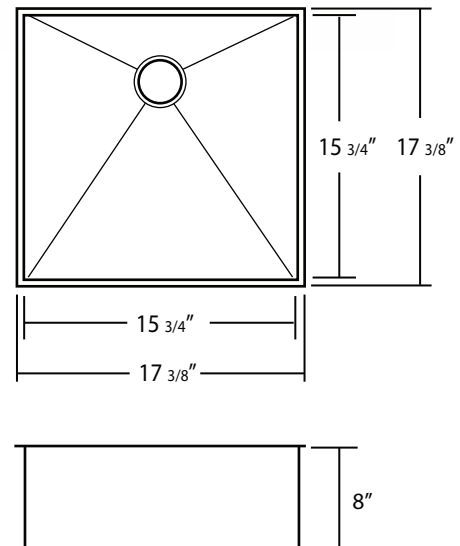
Installation clamps provided for quick & easy installation.

Large polymer sound deadening pads minimize sound.

3 1/2" drain opening.

### SINK DIMENSIONS

Diagram not to scale



This sink complies with CSA Standards

\*Allow sufficient space for faucet when choosing a sink to fit your cabinet  
All measurements  $\pm 1/4$ "

In keeping with our policy of continuing product improvement, Acri-Tec Industries Corp., reserves the right to change product specifications without notice.