

PC-U260

Under-Mount Kitchen Sink

23 1/4" X 21" X 9 1/2"



*1 year limited manufacturer's warranty included

DESIGN FEATURES

Brushed Satin finish

Sink can be installed with reveal, countertop hangover, or flush mounted with countertop.

Installation clamps provided for quick & easy installation.

Latex based undercoating helps dampen sound and vibrations.

3 1/2" drain opening.

CABINET SIZE

Minimum cabinet size required: 27"

MATERIAL

Fabricated from type 304, 16 gauge stainless steel

Constructed from 18/9 stainless steel for durability and superior longevity

Net Sink Weight = 14 lbs, 6.3 kg

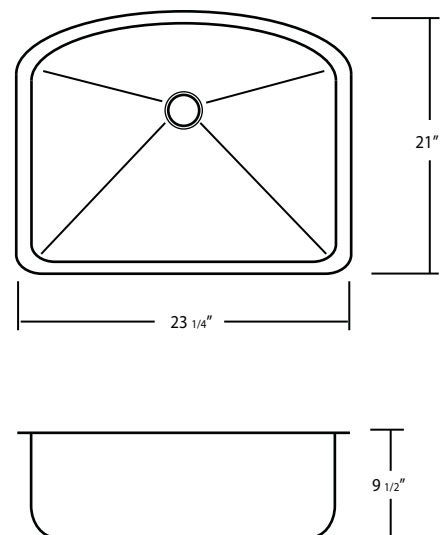
INCLUDING

Metal 3 1/2" stainless steel strainer

Template

SINK DIMENSIONS

Diagram not to scale



This sink complies with CSA Standards

*Allow sufficient space for faucet when choosing a sink to fit your cabinet
All measurements $\pm 1/4$ "

In keeping with our policy of continuing product improvement, Acri-Tec Industries Corp., reserves the right to change product specifications without notice.