

# PC-U331

## Under-Mount Kitchen Sink

### 34" x 19 1/4" x 8 3/8"



\*1 year limited manufacturer's warranty included

## DESIGN FEATURES

Brush Satin Finish

Sink can be installed with reveal, countertop hangover, or flush mounted with countertop

Installation clamps provided for quick & easy installation.

Latex based undercoating helps damper sound and vibrations

3 1/2" drain opening.

## CABINET SIZE

Minimum cabinet size required: 36"

## MATERIAL

Fabricated from type 304, 19 gauge stainless steel

Constructed from 18/9 stainless steel for durability and superior longevity

Net Sink Weight = 17 lbs, 7.7 kg

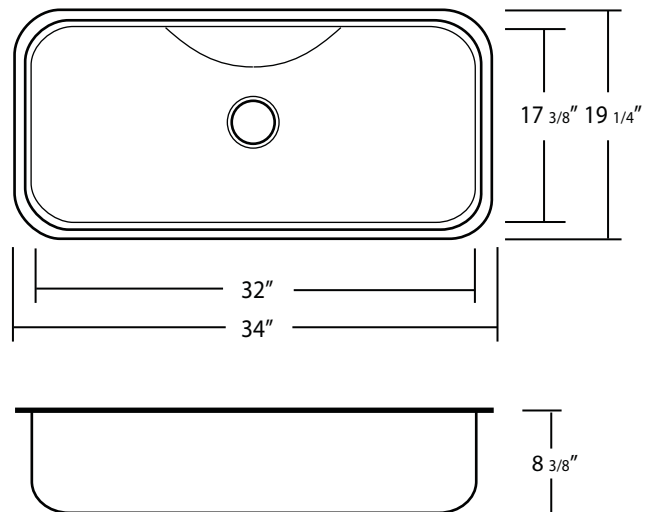
## INCLUDING

Metal 3 1/2" stainless steel strainer

Template included

## SINK DIMENSIONS

Diagram not to scale



This sink complies with CSA Standards

\*Allow sufficient space for faucet when choosing a sink to fit your cabinet  
All measurements  $\pm 1/4$ "

In keeping with our policy of continuing product improvement, Acri-Tec Industries Corp., reserves the right to change product specifications without notice.