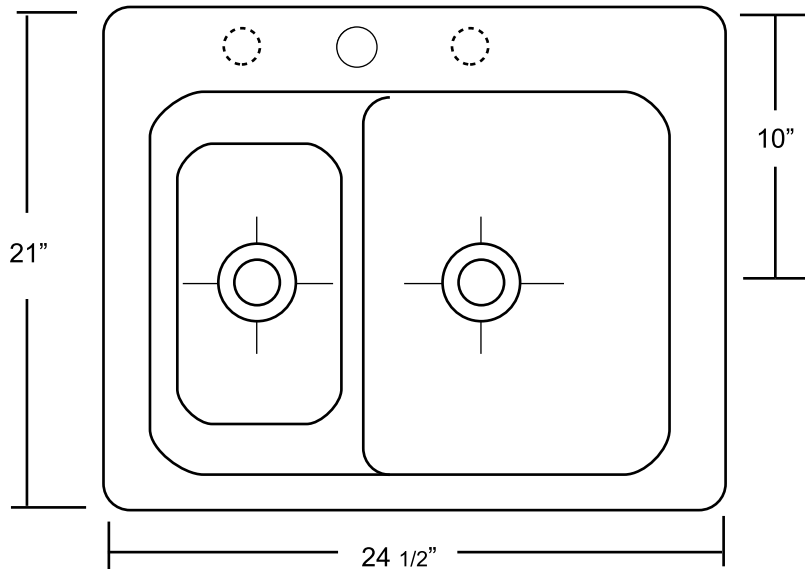




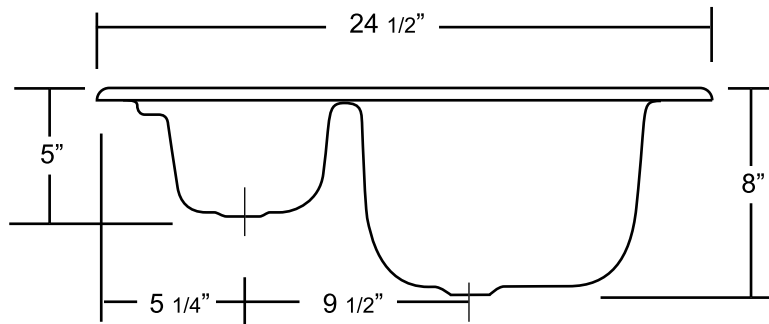
Acri-Tec Industries Corp.
32829 London Avenue, Mission, BC V2V 6M7
Tel: (604) 826-3100 Fax: (604) 826-3149
sales@acritec.com

Duet 24 1/2" x 21" x 8"

Acrylic Kitchen Sinks



TOP VIEW



FRONT VIEW

All Measurements: $\pm 1/4"$

Drain Hole: 3 1/2"

Faucet Holes: 1 1/4"