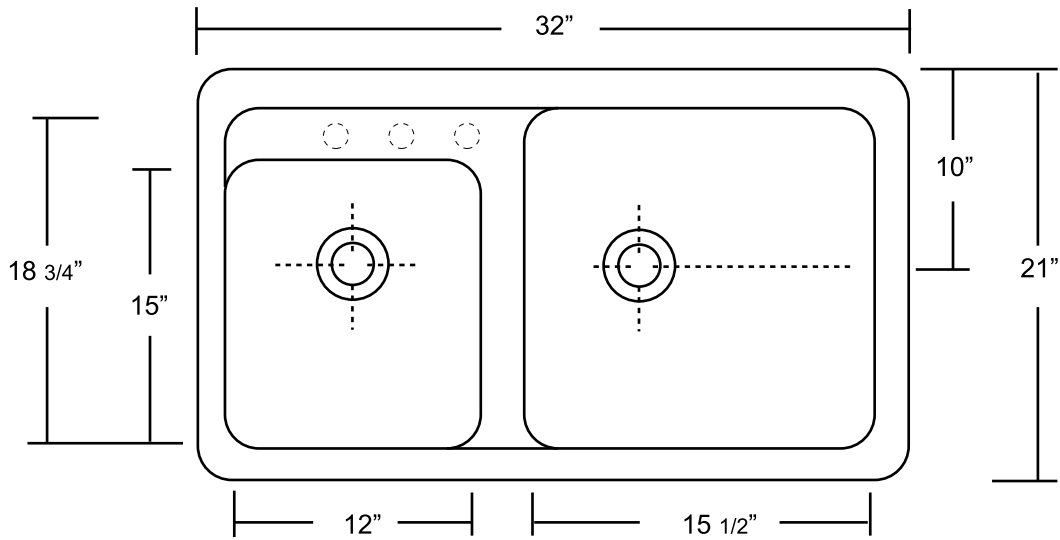


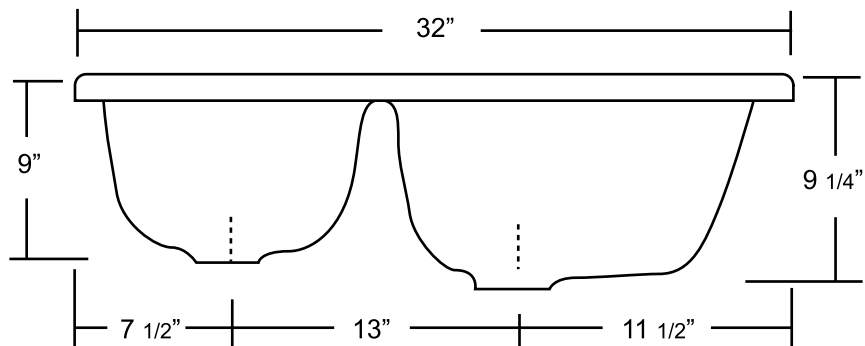


Acri-Tec Industries Corp.
32829 London Avenue, Mission, BC V2V 6M7
Tel: (604) 826-3100 Fax: (604) 826-3149
sales@acritec.com

Regal 32"x 21"x 9 1/4" Acrylic Kitchen Sinks



TOP VIEW



FRONT VIEW

All Measurements: $\pm 1/4$ "

Drain Hole: 3 1/2"

Faucet Holes: 1 1/4"