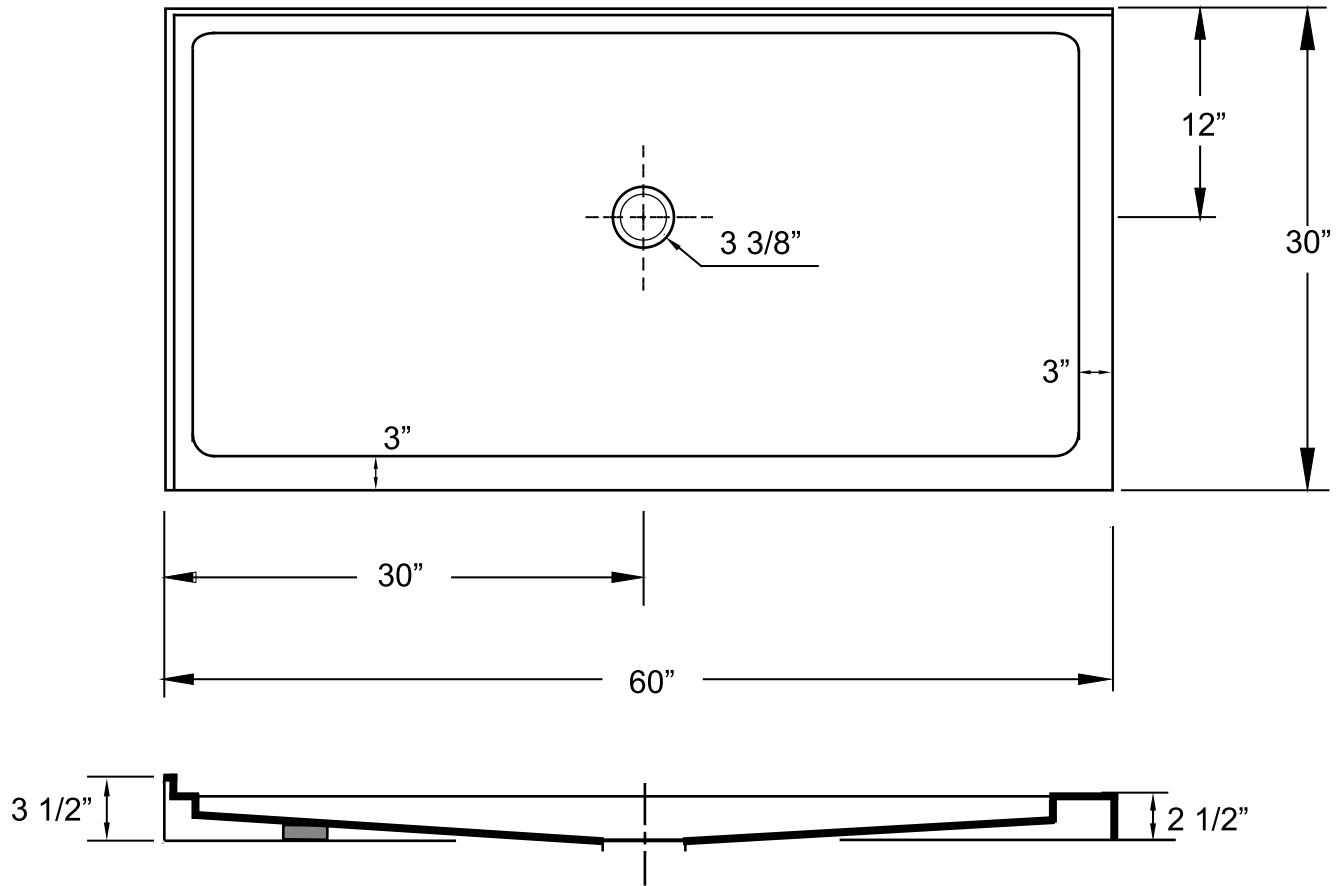




**Acri-Tec Industries Corp.**  
32829 London Avenue, Mission, BC V2V 6M7  
Tel: (604) 826-3100 Fax: (604) 826-3149  
sales@acritec.com

## Shower Base 60"x 30"

Minimalist Double-Threshold  
(Shown as a Right-Hand Base)



All Measurements:  $\pm 1/4"$

Drain Hole: 3 3/8"

Shower base trimmed to fit 60" x 30" rough opening.