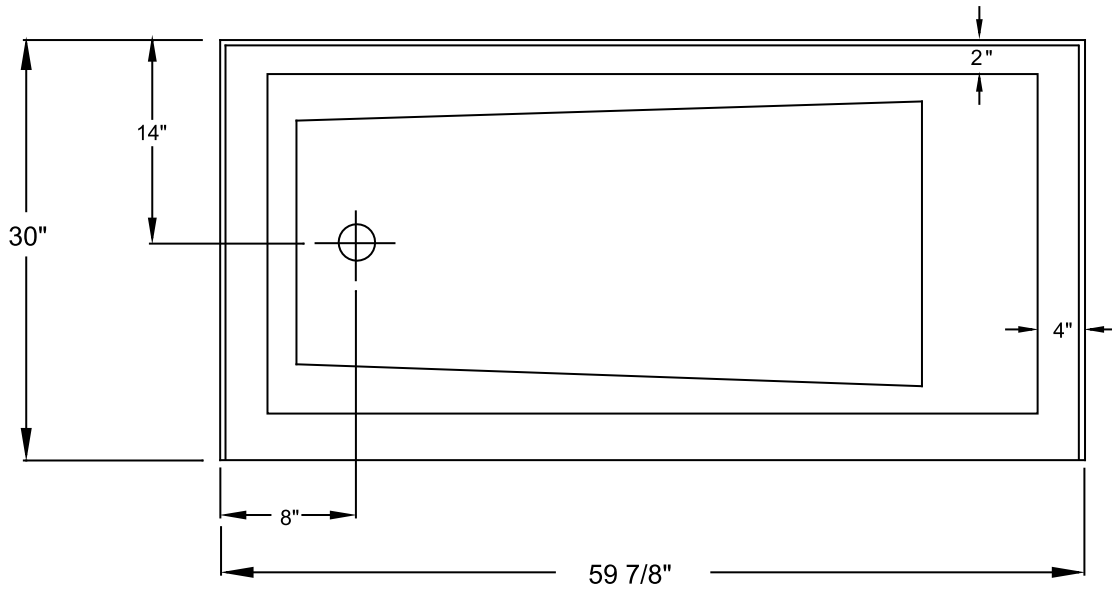
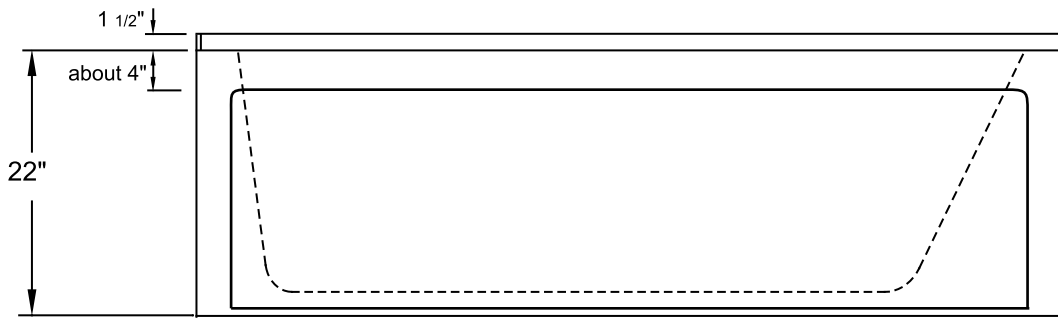




## Simplicity I 60" x 30" Skirted Tub



All Measurements:  $\pm 1/4"$   
Drain Hole: 2"  
Overflow Hole: 2 1/2"