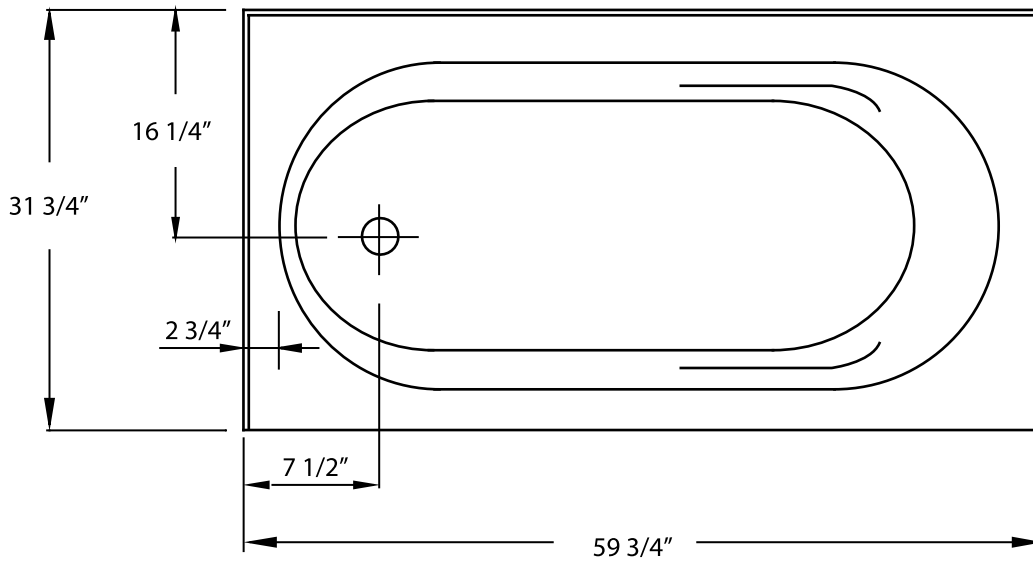
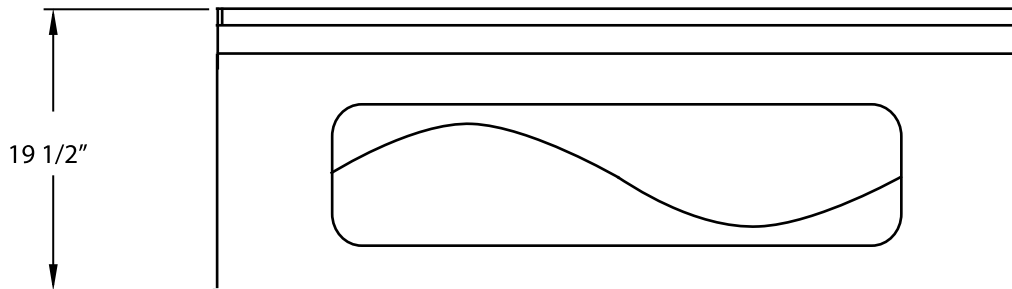




Atlantis II 60" x 32"
Skirted Tub



All Measurements: $\pm 1/4$ "
Drain Hole: 2"
Overflow Hole: 2 1/2"