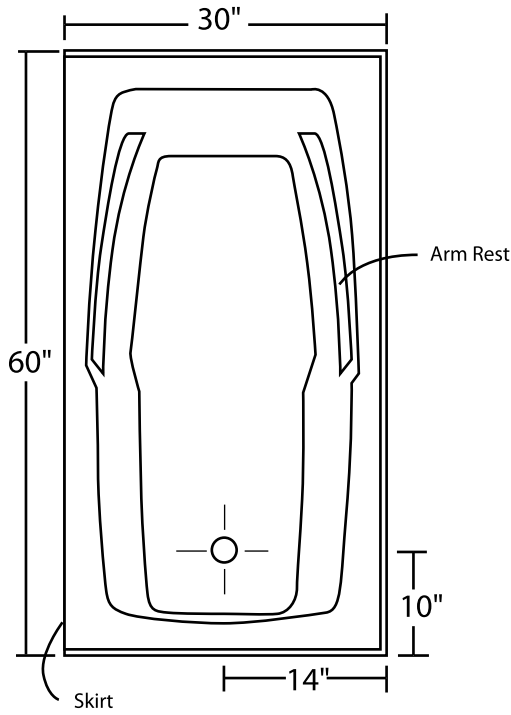
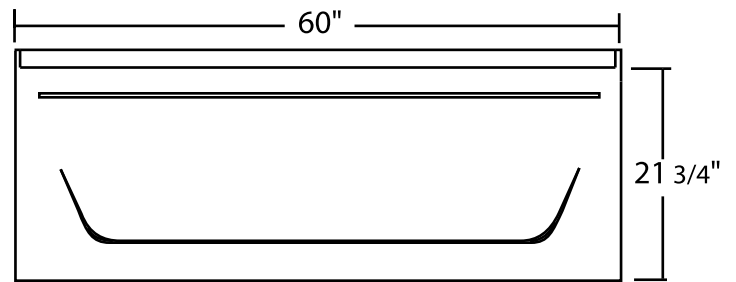




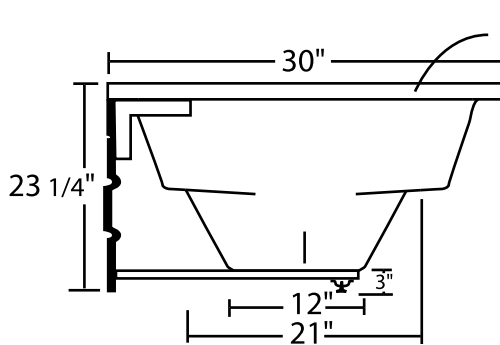
## Brooks 60" x 30" Skirted Tub



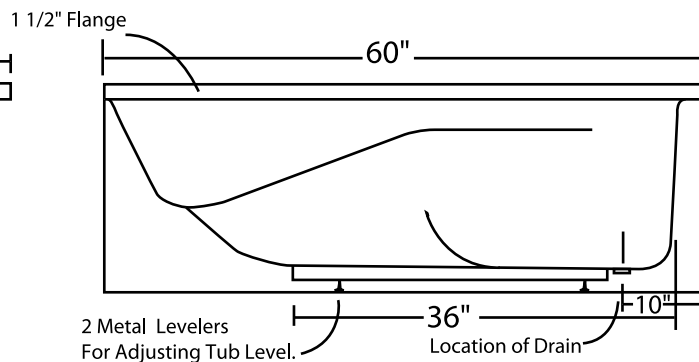
TOP VIEW



FRONT SIDE VIEW



END VIEW



BACK SIDE VIEW

All Measurements:  $\pm 1/4$ "

Drain Hole: 2"

Overflow Hole: 2 1/2"