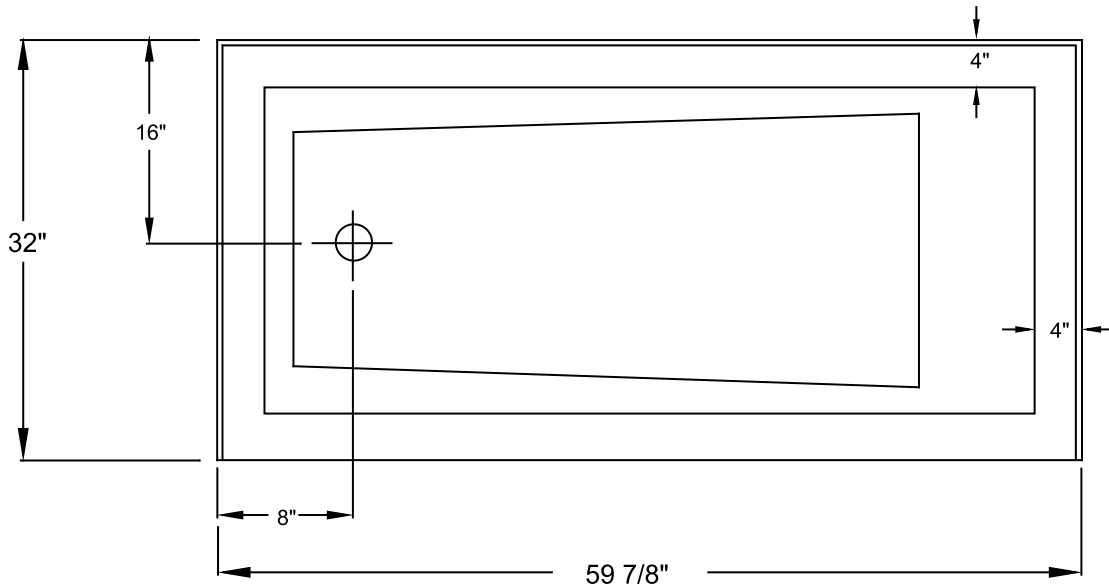
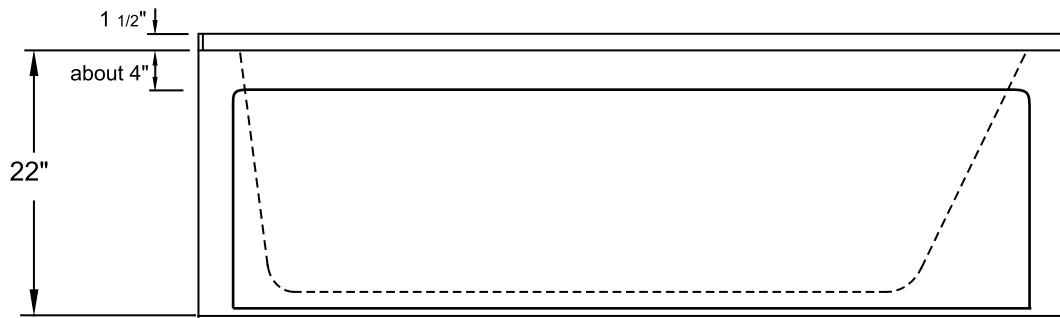




Simplicity II 60" x 32"

Skirted Tub



All Measurements: $\pm 1/4"$
Drain Hole: 2"
Overflow Hole: 2 1/2"