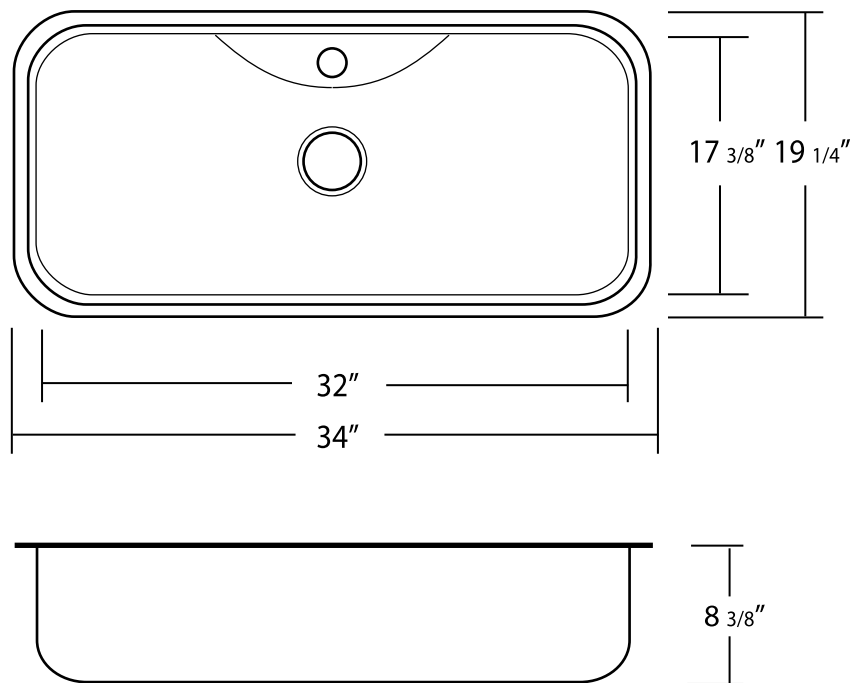




Acri-Tec Industries Corp.
32829 London Avenue, Mission, BC V2V 6M7
Tel: (604) 826-3100 Fax: (604) 826-3149
sales@acritec.com

PC-U331 34" x 19 1/4" x 8 3/8"
Platinum Collection Kitchen Sink



All Measurements: $\pm 1/4"$