

Item # 25035

STAINLESS STEEL DROP-IN LAUNDRY SINK

20" x 20" x 10"

(508*508*254mm)



DESIGN FEATURES

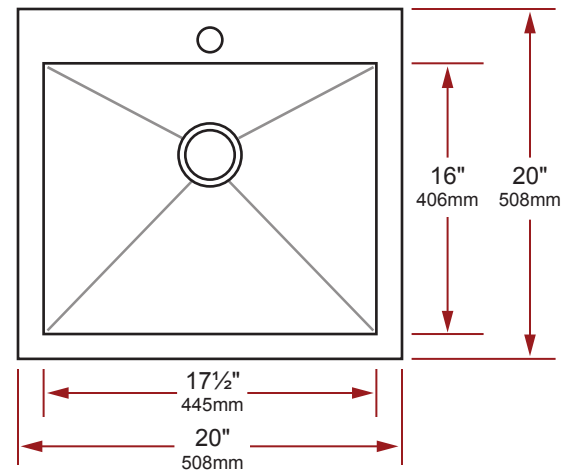
- Resilient and easy-to-clean Brushed Satin finish.
- Single bowl with squared corners.
- Installation clamps provided for quick & easy installation.
- Latex based undercoating helps damper sounds and vibrations.
- 3½" drain opening.

PRODUCT SPECIFICATIONS

- Model: n/a
- Fabricated from type 304, 18 gauge stainless steel.
- Constructed from 18/9 chrome/nickel content stainless steel for durability and superior longevity.
- Net sink weight: 14 lbs.
- Minimum cabinet size required: 24"
- Integral faucet hole.
- Included with sink:
 - 3½" stainless steel strainer(s)
 - Installation clamps
 - Cut-out template
- 1 year limited manufacturer's warranty included.

SINK DIMENSIONS

- Diagrams not to scale.
- All measurements ±¼".



This sink complies with CSA Standards

In keeping with our policy of continuing product improvement, Acri-Tec Industries Corp. reserves the right to change product specifications without notice.