

Under-mount Stainless Steel Sink Installation Instructions

For Steel Sinks with Integral Aprons

Area Preparation:

Install the water supply and drain plumbing according to local building code & plumbing guidelines.

Determine the faucet you wish to install & ensure that there is enough room between the backsplash or wall and the back edge of your sink.

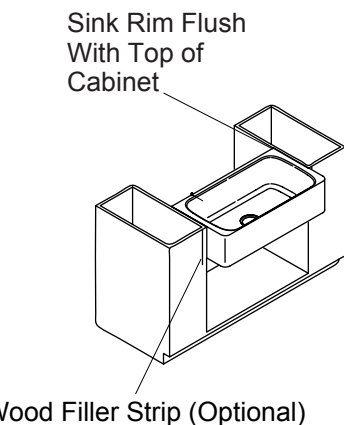
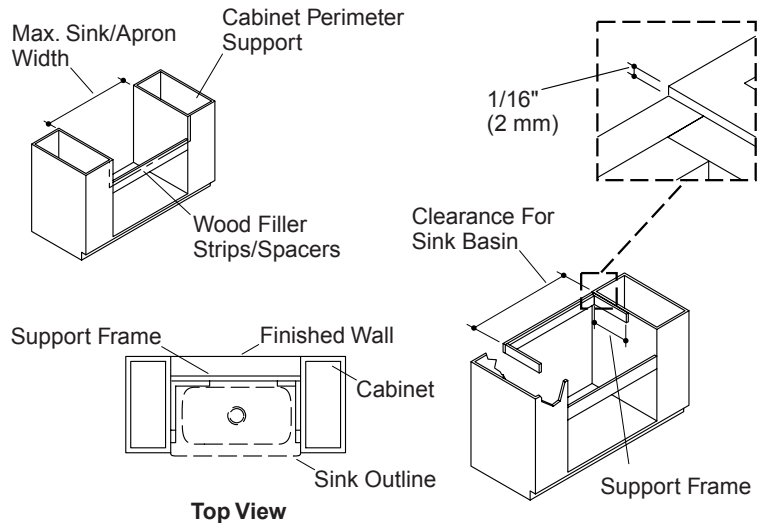
If you have not already done so, determine the distance the apron will extend beyond the face of the cabinet.

Ensure that the apron does not overextend the cabinet so as to expose the unfinished side of the sink.

Construct a wooden support frame to fit inside the cabinet opening, supporting the back and sides of the sink. Ensure that there is adequate clearance on the sides of the support frame to allow for the apron.

You may use support brackets to install the back side of the sink. Consult with the countertop manufacturer for appropriate brackets for this installation as well as installation guidelines.

Test fit the sink and adjust the opening if necessary by sanding or using filler strips. Ensure that the sink is sitting level. Adjust the sink by using shims if necessary.



Sink Installation:

Install the strainer or garbage disposal to the sink according to the manufacturer's instructions.

Apply 1" spot of sealant at each corner of the frame where it will contact the sink. If shims are required additional sealant will be necessary.

Carefully position the sink within the frame, making sure to center

the sink in the cabinet.

Verify that the sink is level. The top of the sink should be flush with the top of the cabinet to allow proper countertop installation. Adjust and shim as necessary.

Countertop Installation:

While installing the countertop: Apply a generous bead of sealant round the sink rim where the sink will contact the countertop.

Position the countertop over the sink, making sure the sealant provides a complete seal between the sink rim and the bottom of the countertop.

Immediately wipe away any excess sealant with a damp cloth. Fill any voids between the rim and the countertop if needed.

Allow the sealant to cure for at least 30 minutes before proceeding with faucet installation.



Acri-tec Industries Corp.
27049 Gloucester Way
Langley, BC V4W 3Y3
T: (604) 607-0856 F: (604) 607-0857
www.acritec.com

CARE & CLEANING OF YOUR STAINLESS STEEL SINK

FOR THE HOMEOWNER

- 1 Clean your sink regularly using warm soapy water.
- 2 Always rinse the sink after using any cleaning agent.
- 3 The surface may be wiped with a soft clean cloth to remove water spotting.
- 4 Do not dice, cut or chop food directly on the surface of the sink.
- 5 Do not let staining objects stay in direct contact with the sink for long periods of time.
- 6 **Do not use abrasive cleaners, scouring pads, or steel wool.**
- 7 For heavy cleaning, use a fine pumice powder inside the bowl, but this should not be used on any mirror surface, and must be thoroughly rinsed off after use.
- 8 Scratches will occur with use of your sink. You can make them less noticeable by using a fine pumice powder (see #7 above).
- 9 If rust should appear, it is almost always as a result of chloride or carbon steel being introduced into the sink. Use of steel wool, chloride cleaners and antibacterial soap should be strictly avoided. Surface rust can be removed with a product called "Flitz".
- 10 Residential sinks are not designed for use with photographic chemicals and acids.
- 11 Chemicals found in drain cleaners are not highly concentrated and these can be used safely on your sink, but the sink must be thoroughly rinsed after use.
- 12 Variations in water quality can also affect the appearance of your sink(a) If water has a high iron content, a brown surface stain resembling rust can appear
(b) If water has a high concentration of minerals or is over-softened, a white film may develop on the sink.
To combat these problems – towel dry the sink and clean using a recommended cleaner once a week.