

Installation Manual / Manuel d'installation

IMPORTANT

- Thoroughly inspect your product before proceeding with the installation.
- The warranty will be void if the product is installed with a defect.

CAUTION

- To prevent leaks, silicone must be applied on the outside of the shower.
- Read all instructions carefully before starting the installation.
- Save this manual for future reference.

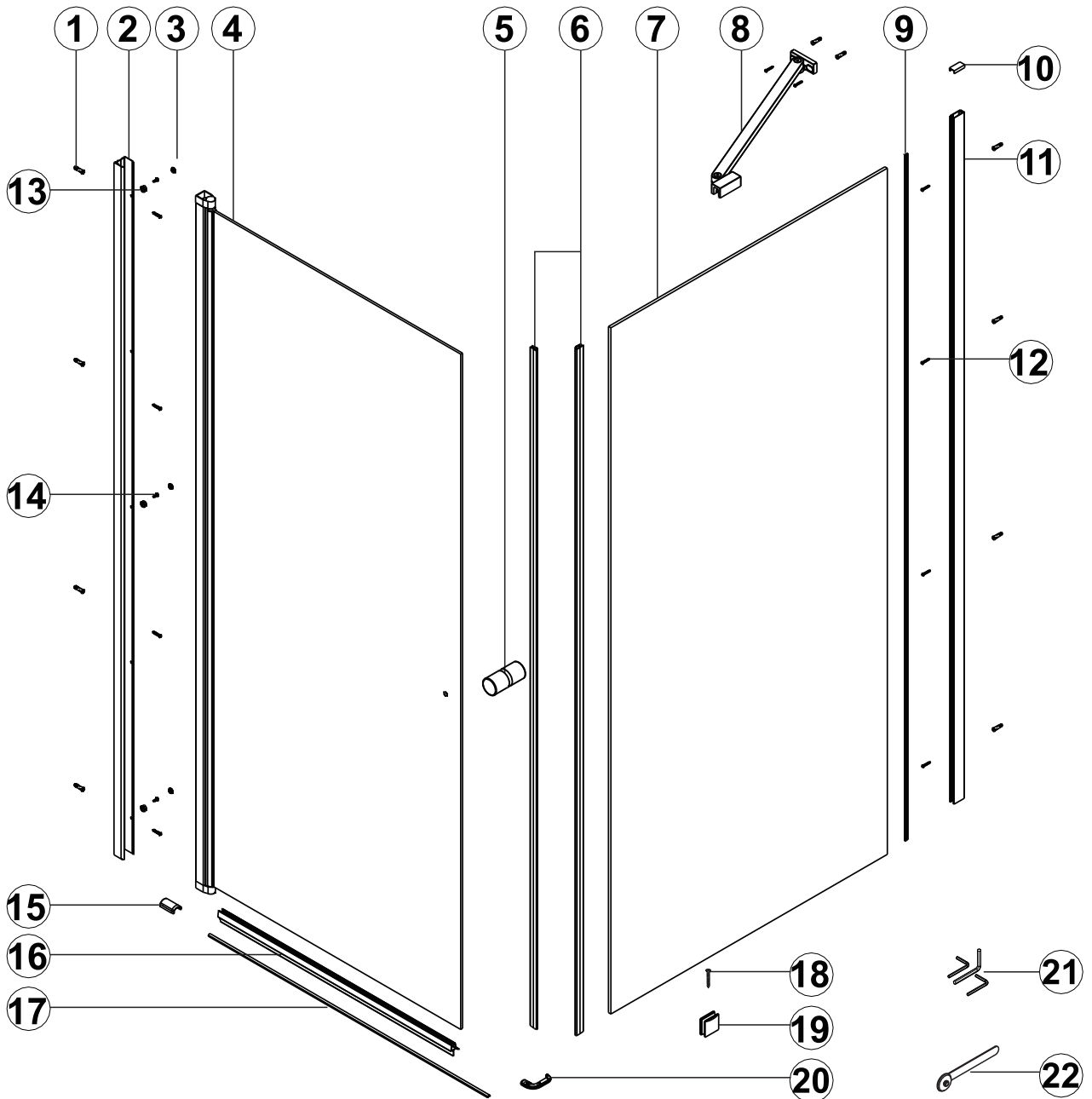
IMPORTANT

- Inspecter le produit avant de procéder à l'installation.
- La garantie sera invalide si le produit a été installé avec des défauts apparents.

ATTENTION

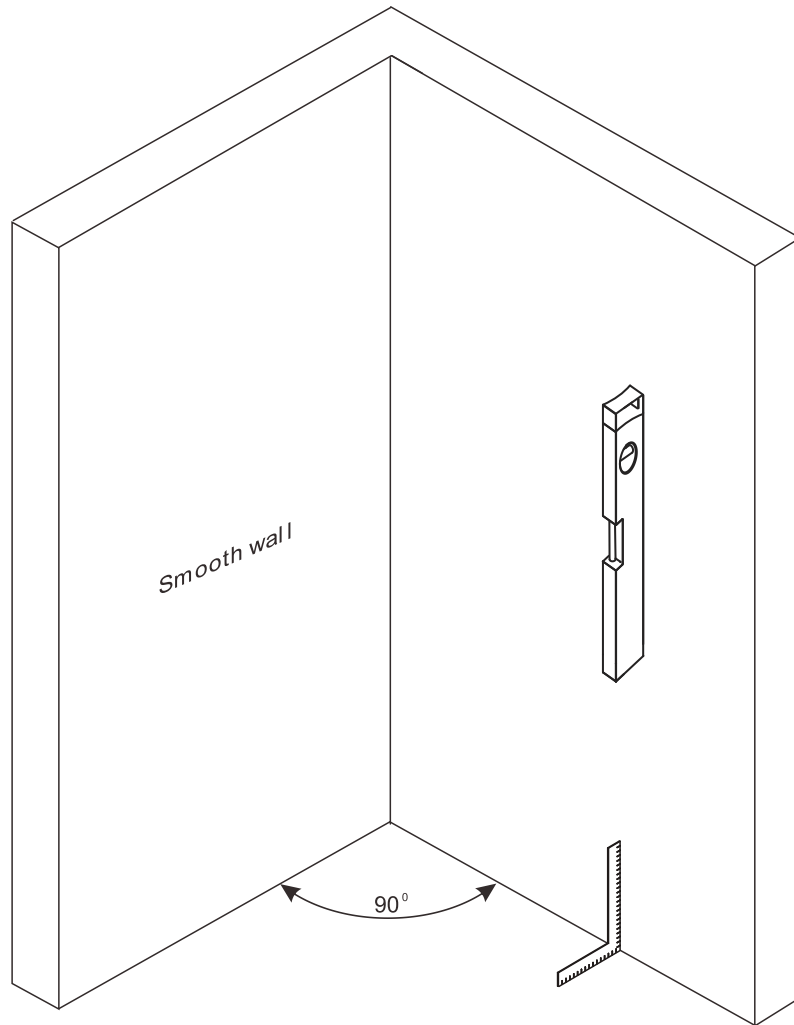
- Lors de l'installation. L'application de silicone doit être à l'extérieur de la douche.
- Veuillez lire attentivement ce manuel d'instruction avant de commencer l'installation.
- Conserver ce manuel pour référence ultérieure.

PARTS LIST

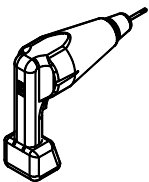


No.	Description	Qty	No.	Description	Qty
1	Wall anchor	11	12	Pan head self tapping screw 4x45	10
2	Wall jamb	1	13	Spacer	3
3	Screw cover	3	14	Pan head self tapping screw 4x8	3
4	Pivot panel	1	15	Threshold retainer	1
5	Handle	1	16	Door sweep gasket	1
6	Magnet	2	17	Threshold	1
7	Fixed glass	1	18	Countersunk Philip head screw M4x16	1
8	Bracket	1	19	Glass clip	1
9	Squeeze gasket	1	20	Threshold retainer 90	1
10	Extrusion cap	1	21	Allan key kit	1
11	Wall jamb	1	22	Squeeze gasket tool	1

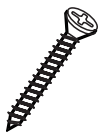
PREPARATION



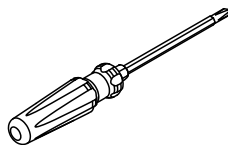
TOOLS AND MATERIALS REQUIRED



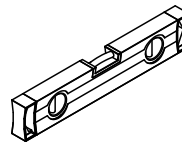
PERCEUSE
DRILL



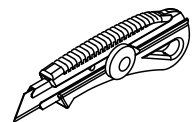
VIS
SCREWS



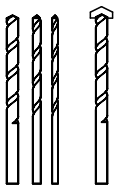
TOURNEVIS
SCREW DRIVER



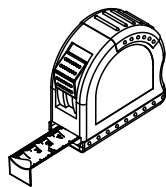
NIVEAU
LEVEL



COUTEAU DE PRECISION
PRECISION KNIFE



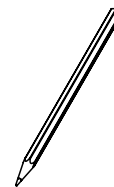
FORETS: 1/8", 3/16" ET 1/4"
*FORET À MAÇONNERIE
DRILL BITS: 1/8" AND 1/4"
*MASONARY DRILL BIT



RUBAN À MESURER
MEASURING TAPE



ÉQUERRE
SET SQUARE

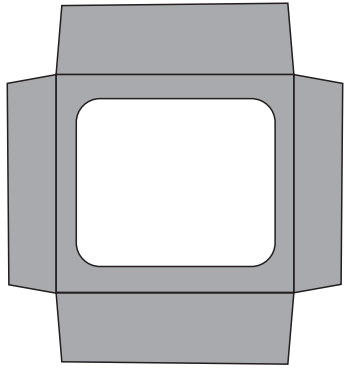


CRAYON
PENCIL

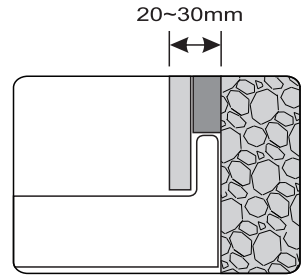



SILICONE
SILICONE

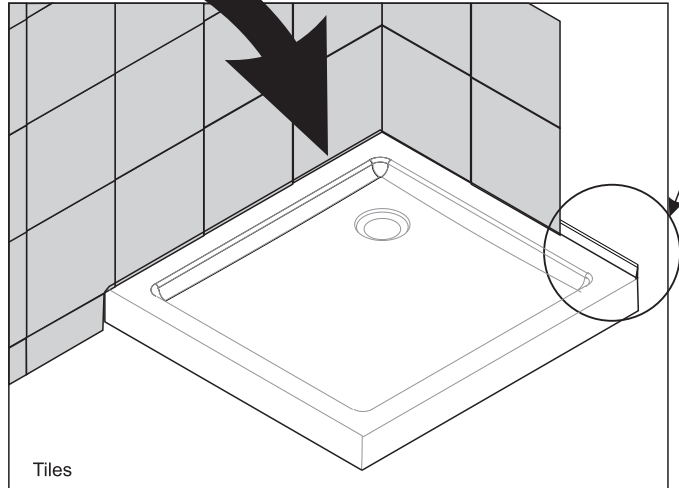
CONTINUED



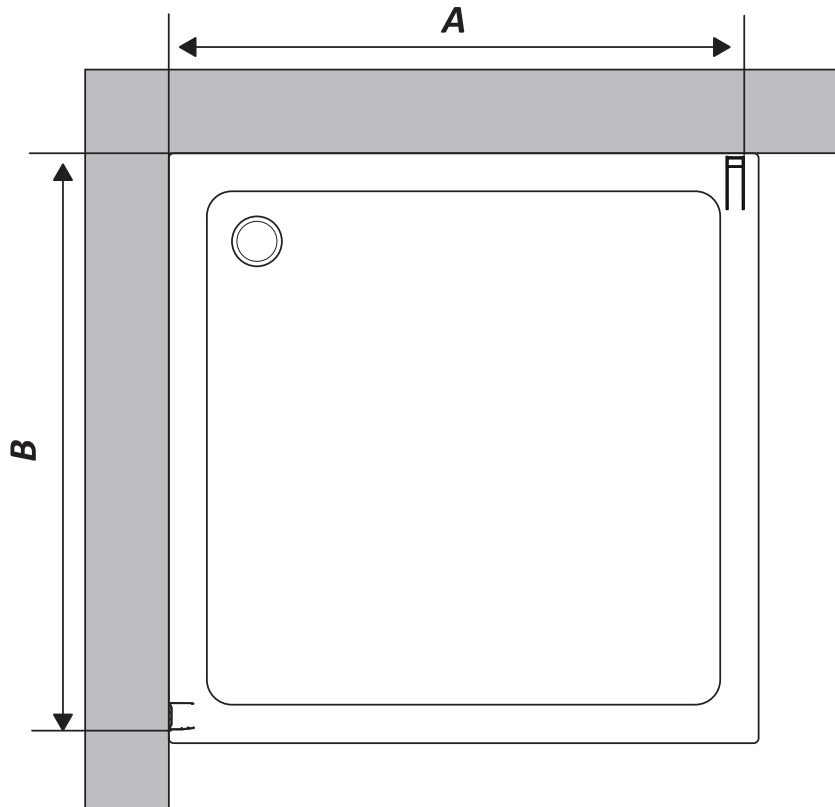
To protect your shower base finish.



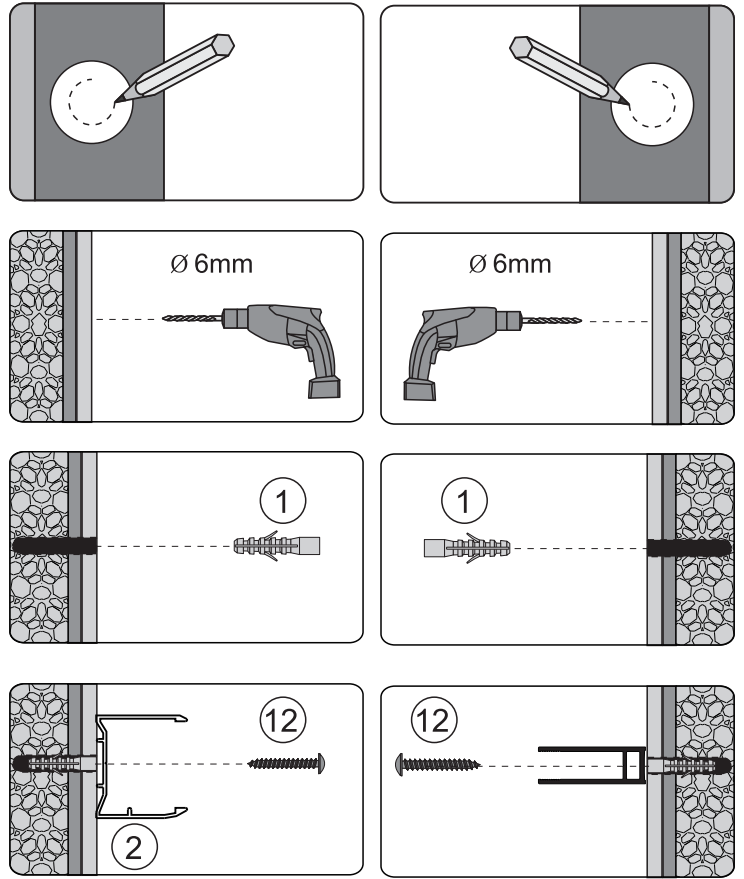
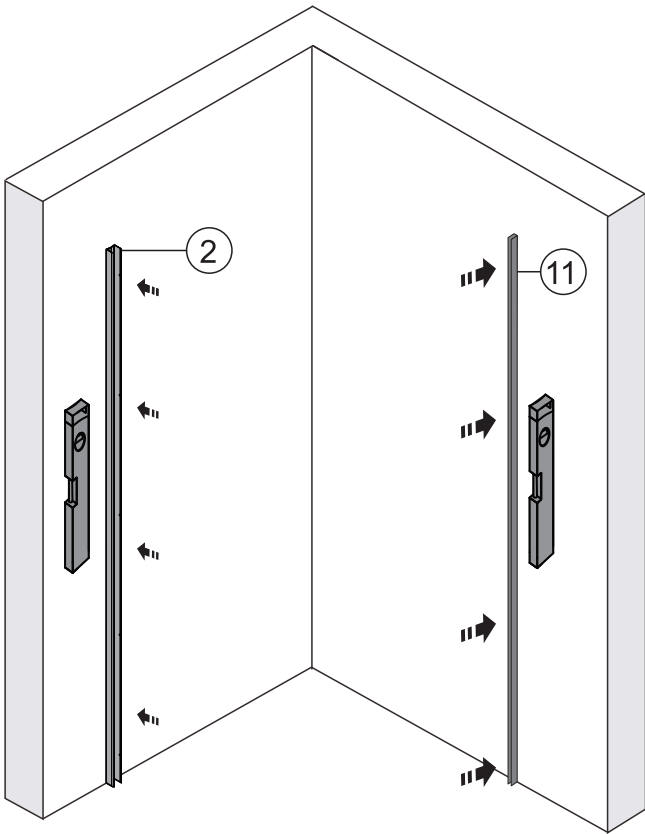
 **WARNING !**
Wait 24h before proceeding with the Installation of the shower door. This will ensure that the finish and mortar are dry.



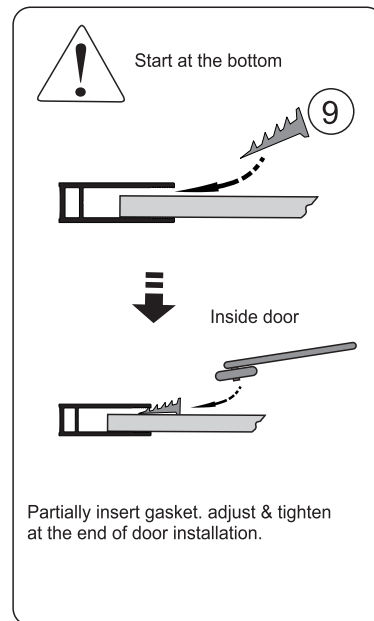
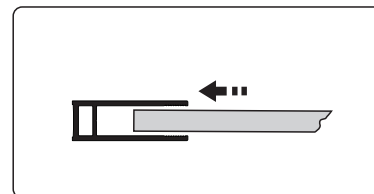
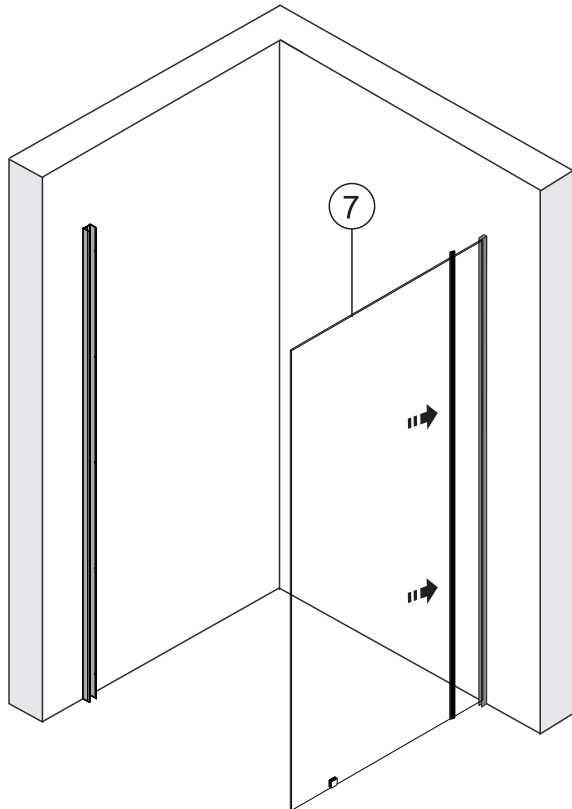
WALL JAMB INSTALLATION



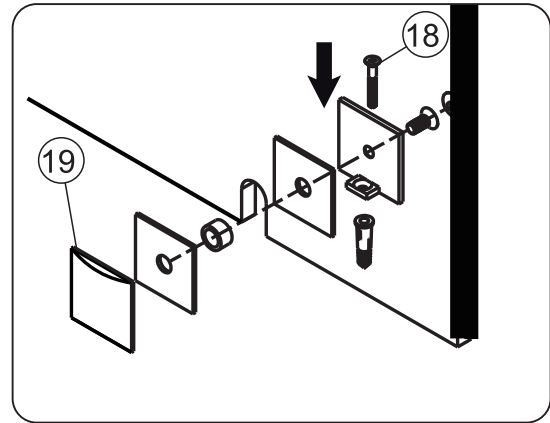
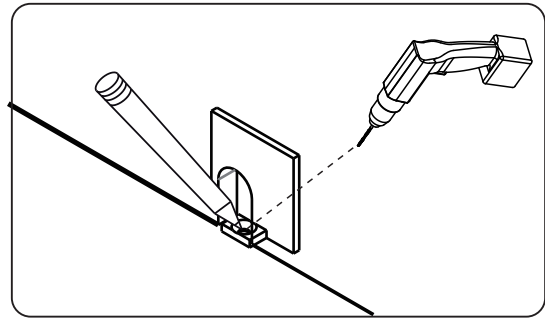
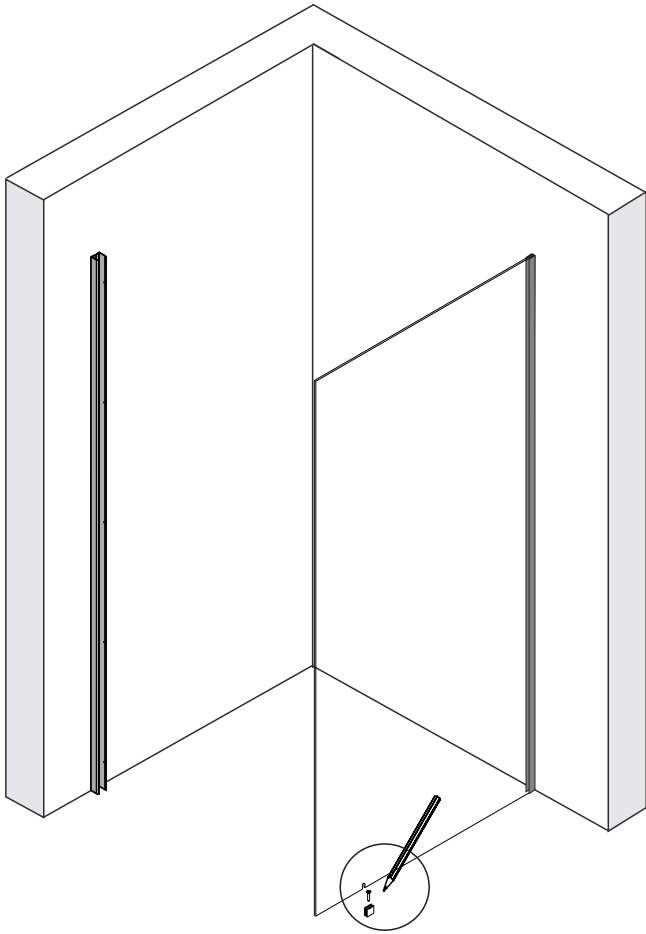
CONTINUED



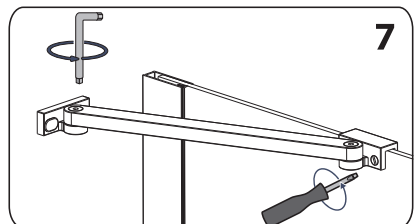
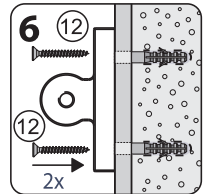
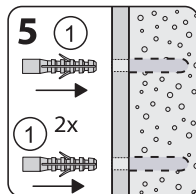
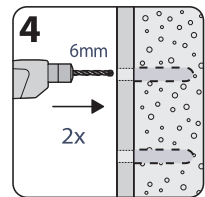
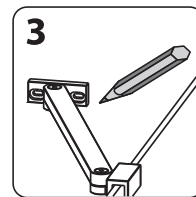
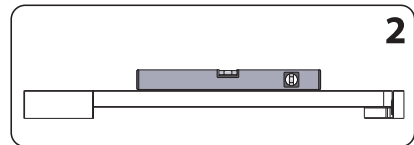
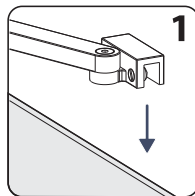
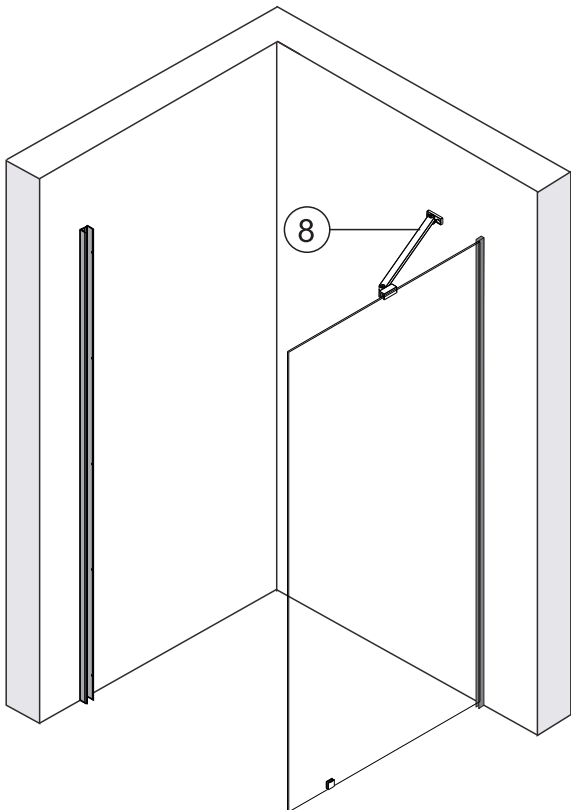
CONTINUED



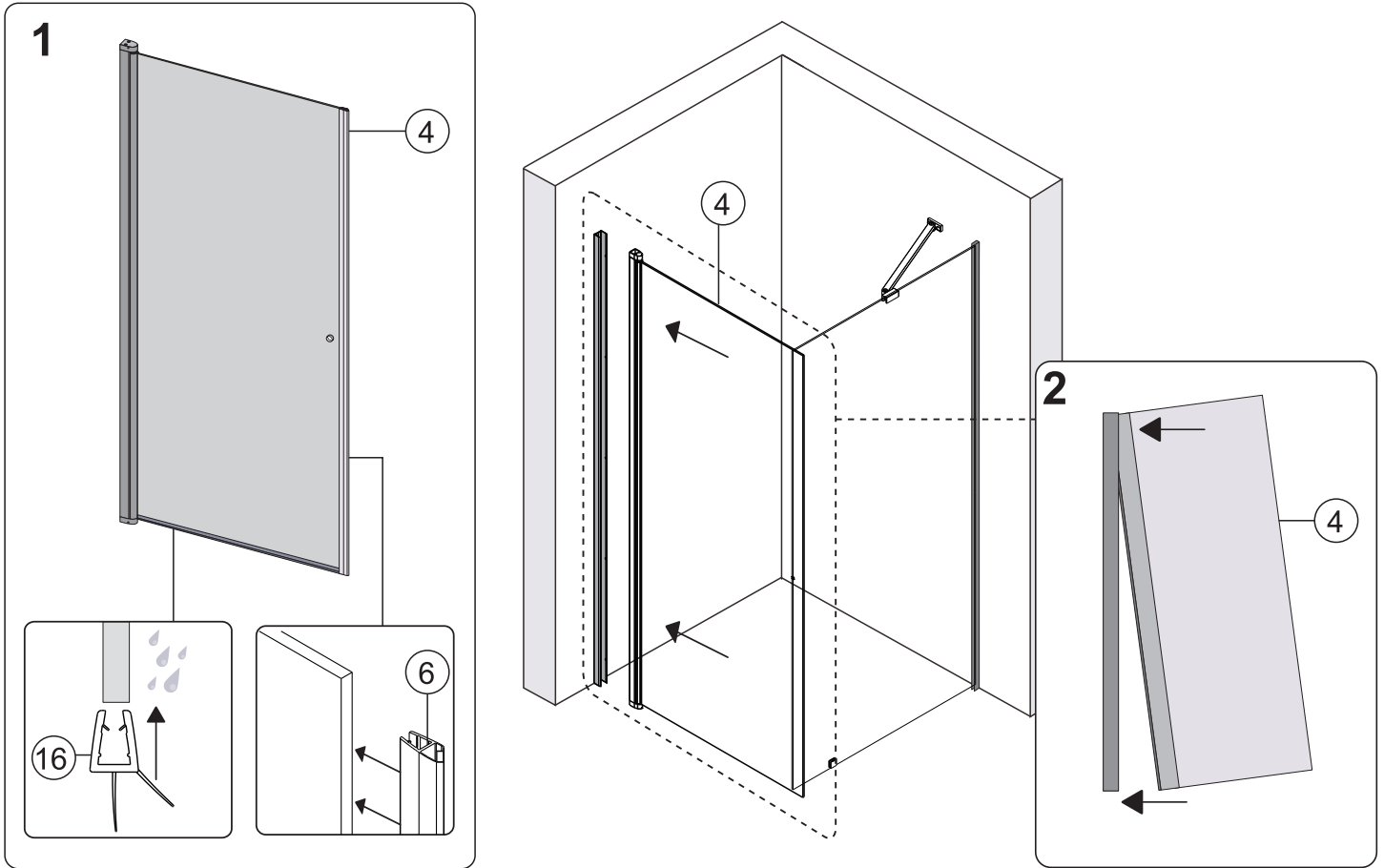
CONTINUED



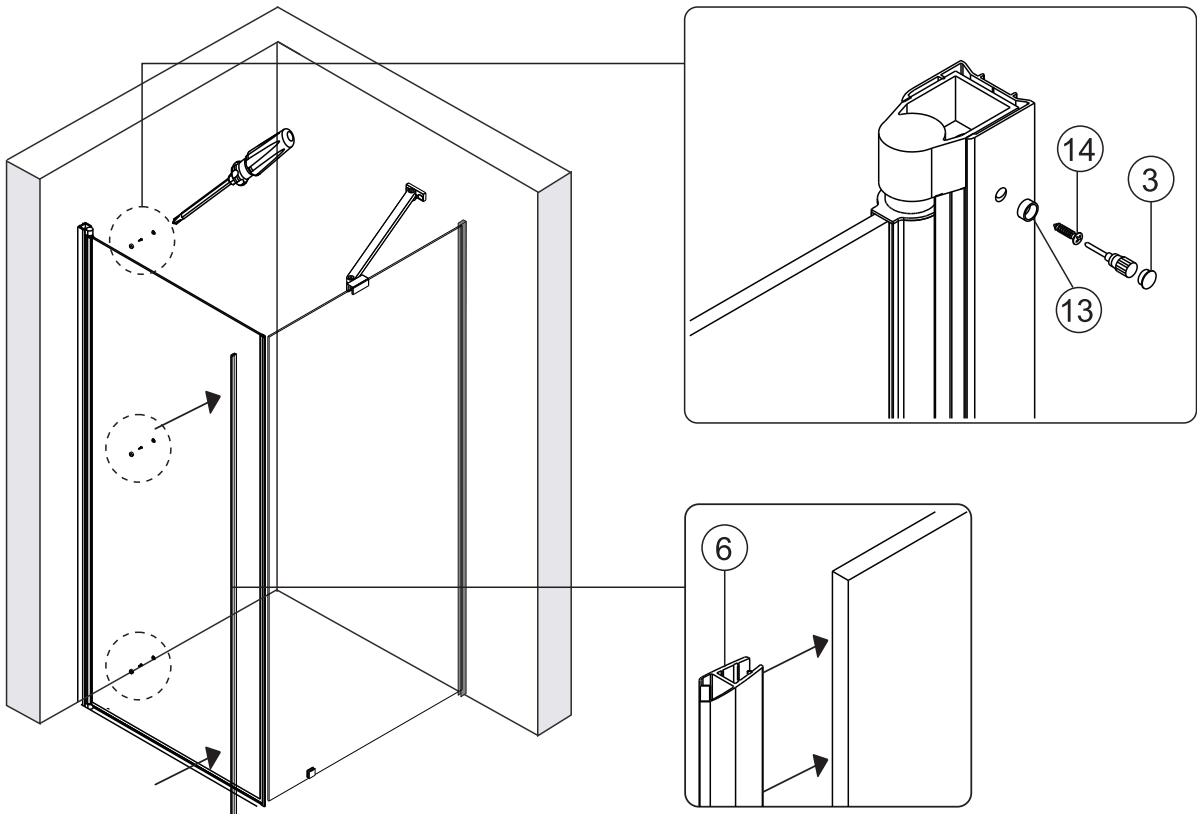
CONTINUED



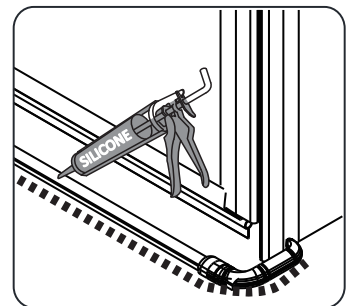
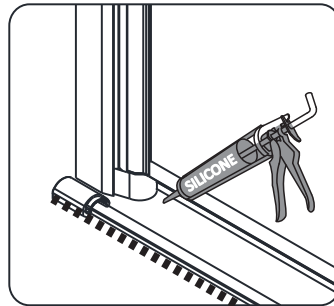
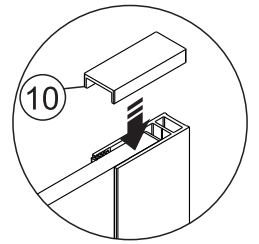
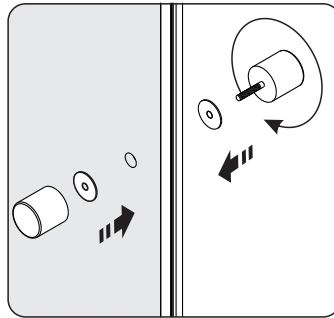
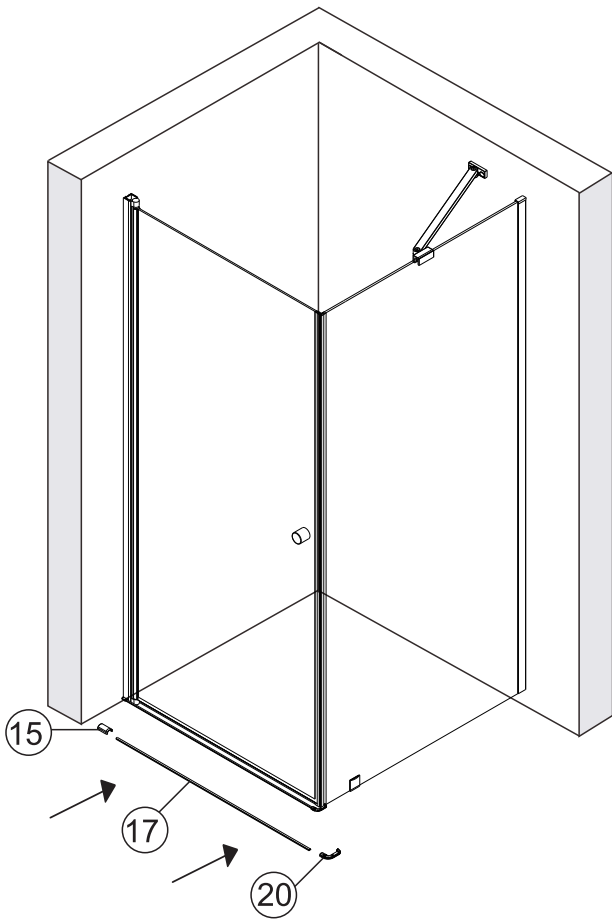
CONTINUED



CAULKING



CONTINUED



CAULKING

