



Makara

Product #: 48025



67" x 30" x 32" | Immersion Depth: 15"

Design Features

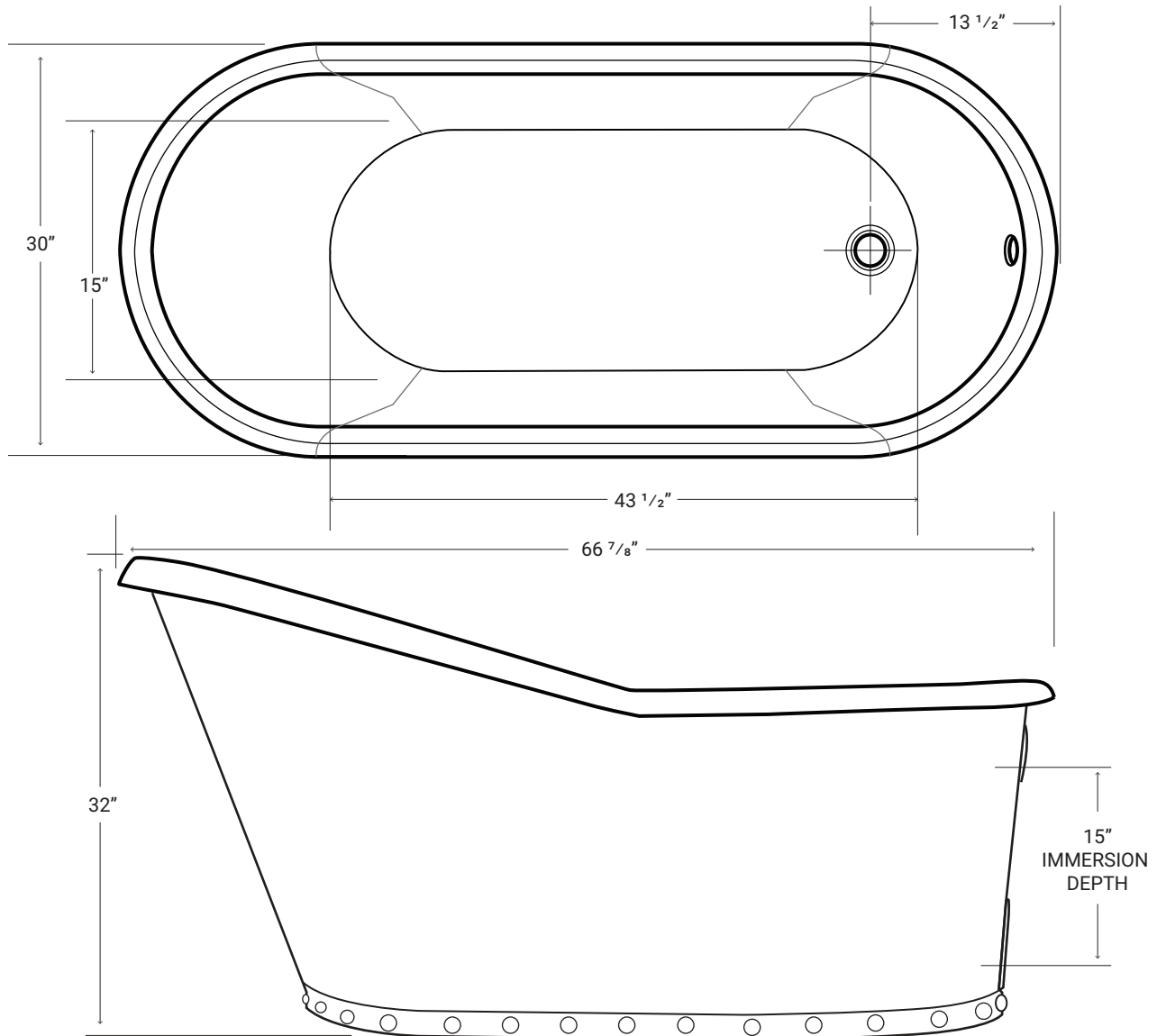
- Cast Iron
- Oval interior
- Gently sloping backrests
- Rolled edge for comfortably resting your neck while bathing
- Interior: White, porcelain enamel fired finish
- Exterior: hand finished white paint with rivets

Product Specification

- Water Capacity ~ 50 US Gallons
- Weight: 492 lbs
- 1 year limited manufacturer's warranty
- Faucets & overflow sold separately
- Certified to:
ASME A112.19.1
CSA B45.2-2013

Available Upgrades

- Roughin EZ



Acritec Industries Corp.

27049 Gloucester Way
Langley, B.C. V4W 3Y3

Tel: 604.607.0856

Fax: 604.607.0857

Email: info@acritec.com

Website: www.acritec.com

In keeping with our policy of continuing product improvement, Acritec Industries Corp. reserves the right to change product specifications without notice.

Important

*While we strive to provide accurate measurements for our customers, sometimes mistakes happen. Our goal is to help things run smoothly from shipment to installation, so if you notice any errors in our spec sheets, please let us know.

Our products are handmade & hand finished so you can expect a tolerance of $\pm \frac{1}{4}$ " on all measurements. We strongly recommend waiting until your ordered product is on-site before attempting any rough-in carpentry or plumbing.

If you want to verify any of our measurements, please feel free to call or email us.

*Drawings are not to scale