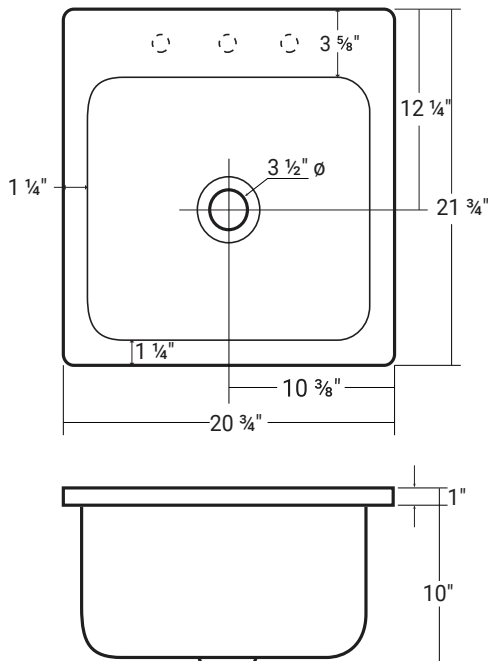


Classic Laundry

Product # 11011

20 3/4 " x 21 3/4 " x 10"



Important

*While we strive to provide accurate measurements for our customers, sometimes mistakes happen. Our goal is to help things run smoothly from shipment to installation, so if you notice any errors in our spec sheets, please let us know.

Our products are handmade & hand finished so you can expect a tolerance of $\pm 1/4$ " on all measurements. We strongly recommend waiting until your ordered product is on-site before attempting any rough-in carpentry or plumbing.

If you want to verify any of our measurements, please feel free to call or email us.

*Drawings are not to scale



Product Specifications

- Available in white
- Single bowl with round corners
- 3 1/2" drain opening.
- Net sink weight: 9 lbs.
- Minimum cabinet size required: 24"
- Faucets and stainers not included.

Design Features

- High-gloss cast acrylic reinforced with a fibreglass backing providing strength, vibration reduction and sound deadening.
- Non-porous finish creates a surface resistant to stains and mildew.
- Easy to clean with non-abrasive cleaners.
- Designed for drop-in applications requiring no mounting hardware.
- Integral faucet deck.
- Pre-drilled Faucet Holes for a quicker installation
 1. Single Hole Centered - Add "-01" to Part Number Hole
 2. 3 Holes @ 4"- Add "-04" to Part Number Hole
 3. 3 Holes @ 8"- Add "-08" to Part Number Hole

Acritec Industries Corp.

27049 Gloucester Way
Langley, B.C. V4W 3Y3

Tel: 604.607.0856

Fax: 604.607.0857

Email: info@acritec.com

Website: www.acritec.com

In keeping with our policy of continuing product improvement, Acritec Industries Corp. reserves the right to change product specifications without notice.