



## Independence 5426

Product # LH: 70031 | RH: 70041

53 ¾" x 26" x 37 ¾"

### DESIGN FEATURES

- Left or right inward door swing
- Contoured built in seat
- Stainless steel grab bar
- Textured bottom
- Dual drains internal 1 ½". Drainage time: ~2 minutes
- Access panel
- Gel coat & fiber glass with stainless steel support frame
- Adjustable leveling feet
- Comes with tiling flange kit
- Door opening: 18" wide
- Bathtub well width: 23" above the seat
- Water Capacity ~ 66 US Gallons
- Seat: 17" high
- Overflow height: 36"
- Drain included

### AVAILABLE UPGRADES

- Chromotherapy
- Comfortwarm™
- Vibe Sound
- Aromatherapy

### JETTING UPGRADES

#### LATERAL AIR

##### 16 Jet Air System

- White 00021
- Brushed Nickel 00023
- Polished Chrome 00024

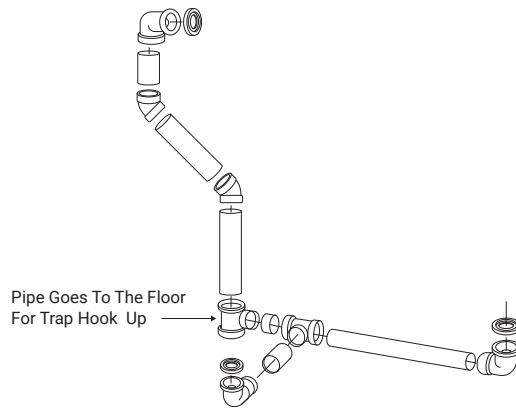
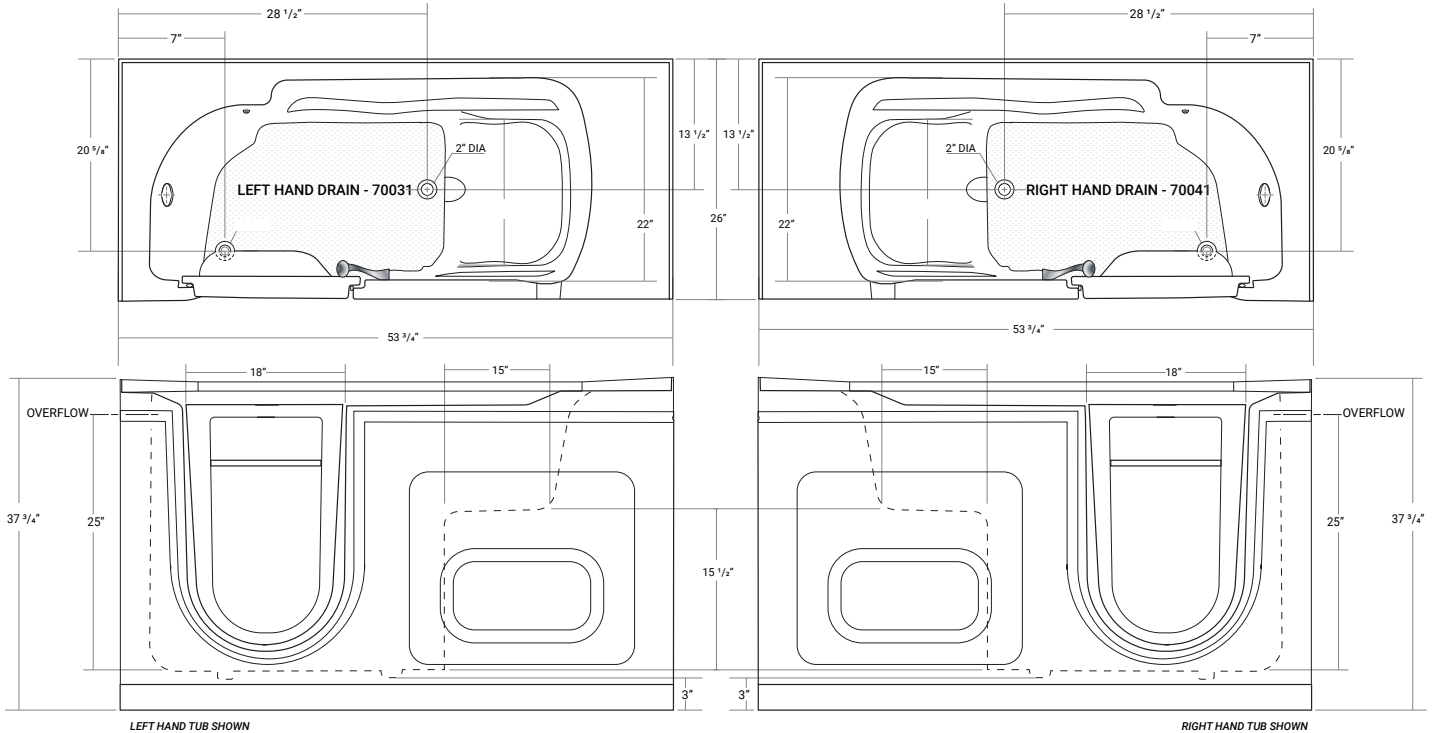
#### HYDROMASSAGE

##### 6 Jet HydroMassage System

- White 00101
- Polished Chrome 00104

##### 8 Jet HydroMassage System

- White 00111
- Polished Chrome 00114



**Acritec Industries Corp.**

27049 Gloucester Way  
Langley, B.C. V4W 3Y3

**Tel:** 604.607.0856

**Fax:** 604.607.0857

**Email:** info@acritec.com

**Website:** www.acritec.com

In keeping with our policy of continuing product improvement, Acritec Industries Corp. reserves the right to change product specifications without notice.

**Important**

\*While we strive to provide accurate measurements for our customers, sometimes mistakes happen. Our goal is to help things run smoothly from shipment to installation, so if you notice any errors in our spec sheets, please let us know.

Our products are handmade & hand finished so you can expect a tolerance of  $\pm \frac{1}{4}$ " on all measurements. We strongly recommend waiting until your ordered product is on-site before attempting any rough-in carpentry or plumbing.

If you want to verify any of our measurements, please feel free to call or email us.

\*Drawings are not to scale

